

# EZ Fit™ Ball Lock Retainer Inserts

Inch & Metric



Dayton EZ Fit™ Ball Lock Retainer Inserts give you the ability to reconfigure and custom-make retainers in-house as die specifications change. The unique single-piece teardrop shape, combined with both a straight and an angled wedge side, holds your ball lock punch securely in place. EZ Fit™ Inserts reduce costs and downtime—and simplify tooling changeover.

## A Simpler, Better Way

Cost-effective.  
Innovative,  
New Design

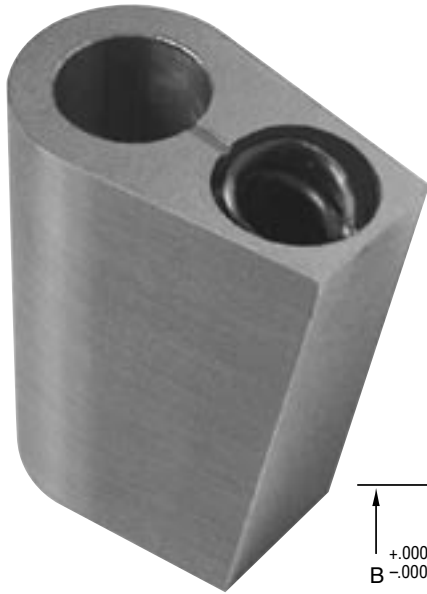
# EZ Fit™ Inserts



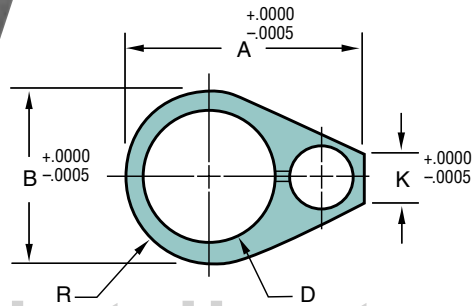
Global leader in  
providing fabrication  
and stamping solutions

Subsidiary Federal Signal Corporation 

[www.daytonprogress.com](http://www.daytonprogress.com)



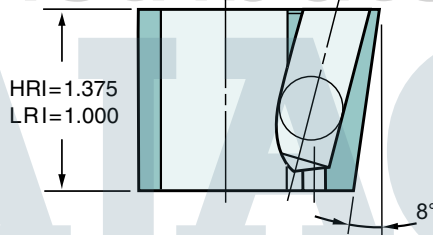
INCH



**HRI**  
Heavy Duty

**LRI**  
Light Duty

Ball hole location radial tolerance  $\pm 0.005$ "



**Heavy Duty**

Type	Punch Hole Dia. D	Code	A	B	K
HRI	0.3750	37	1.0630	0.6250	0.3882
	0.5000	50	1.3190	0.7500	0.5250
	0.6250	62	1.4570	0.9000	0.4698
	0.7500	75	1.6040	1.0600	0.4202
	0.8750	87	1.7320	1.1950	0.4182
	1.0000	100	1.8700	1.3200	0.4111
	1.2500	125	2.1260	1.5700	0.3951

**Light Duty**

Type	Punch Hole Dia. D	Code	A	B	K
LRI	0.2500	25	0.7750	0.4375	0.3125
	0.3750	37	0.9000	0.5625	0.3125
	0.5000	50	1.1200	0.7500	0.3125
	0.6250	62	1.2500	0.8750	0.3125
	0.7500	75	1.4700	1.0700	0.3125
	0.8750	87	1.6000	1.1950	0.3125
	1.0000	100	1.7200	1.3200	0.3125

## Build New or Modify Existing Retainers—Quickly & Easily

Dayton EZ Fit™ Inserts provide a simple, low-cost solution to *building* new dies because the inserts utilize a revolutionary design that assures a positive, rigid, and more accurate fit than other inserts on the market.

One side of the insert is cut at an 8° angle to create a wedge shape that—when combined with the teardrop shape—assures that the insert and retainer fit together as a single unit. (See cutaway.)



EZ Fit™ Inserts are also ideal for *repairing or making engineering changes*. When changes occur—and the location(s) of the punches in the die set change(s)—new or reconfigured retainers are required. In-house modification can slow the changeover process; often requires specialized equipment and knowledge; and the integrity of the original retainer can be compromised.

Now—with the help of the all-new Dayton EZ Fit™ Ball Lock Retainer Insert—building new or repairing/retrofitting existing retainers can be simplified and completed in-house *at a fraction of the cost of replacing existing retainers!*



**HOW TO ORDER**

Specify:	Qty.	Type	Code
Example:	5	HRI	37
	12	LRI	62



## In-house Modifications

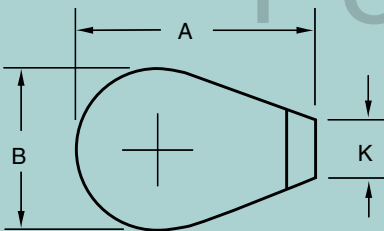
Dayton EZ Fit™ Retainer Inserts can be used to change hole locations in Multi-Position™ Retainers, thus allowing reuse of existing retainers. The process is quick, easy, effective, and far less expensive than part replacement costs. To retrofit, simply wire cut the hole to the specified size. Wire cut EDM instructions included with each insert, and are available at [www.daytonprogress.com/EZFit](http://www.daytonprogress.com/EZFit)

## Tighter Tolerances. Optimum Performance.

Dayton EZ Fit™ Inserts are designed to assure tighter, more precise tolerances than other retainer inserts.

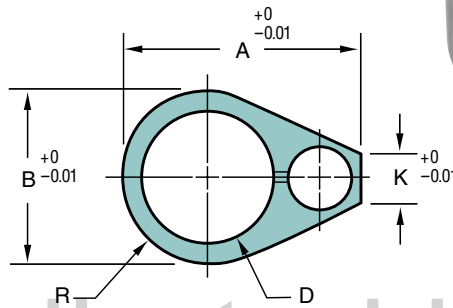
The EZ Fit™ unique teardrop shape provides a *single, tightly secured receptacle* for the punch. One side of the piece (the flat side) is cut at an 8° angle to create a wedge shape. The hole in the retainer is wire cut to create a snug fit.

## Wire Cut EDM

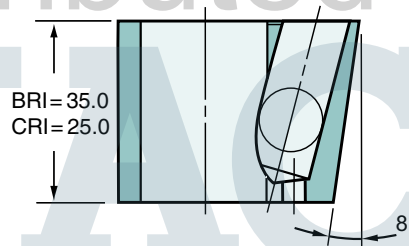


Each insert comes complete with wire cutting instructions that show recommended dimensions and tolerances for optimum performance. Wire cutting instructions are also available online at [www.daytonprogress.com/EZFit](http://www.daytonprogress.com/EZFit)

METRIC



Ball hole location radial tolerance  $\pm 0^{\circ}5'$



**BRI**  
Heavy Duty  
**CRI**  
Light Duty

### Heavy Duty

Type	Punch Hole Dia. D	Code	A	B	K
BRI	10	10	27.5	16.0	10.89
	13	13	33.0	19.5	12.26
	16	16	36.4	23.0	11.06
	20	20	40.7	27.5	9.88
	25	25	46.0	33.0	9.42
	32	32	53.2	40.0	8.92
	40	40	61.4	48.0	8.54

### Light Duty

Type	Punch Hole Dia. D	Code	A	B	K
CRI	06	06	19.60	11.10	7.90
	10	10	24.80	15.60	7.90
	13	13	28.40	19.00	7.90
	16	16	31.60	22.00	7.90
	20	20	36.20	27.00	7.90
	25	25	41.40	32.40	7.90
	32	32	48.70	40.00	7.90

**FDS**  
FIRM DELIVERY SCHEDULE

1 Day

### HOW TO ORDER

Specify:	Qty.	Type	Code
Example:	5	BRI	13
	12	CRI	25