



Branded™ Shim & Toolroom Products

WWW.PRECISIONBRAND.COM 6" STEEL
.004"/.102mm LOT 39864 .004"/.102mm

WWW.PRECISIONBRAND.COM 6" STEEL
.004"/.102mm LOT 39864 .004"/.102mm

WWW.PRECISION
.004"/.102mm

WWW.PRECISIONBRAND.COM 6" BRASS

WWW.PRECISIONBRAND.COM 6" BRASS
.015"/.381mm LOT 30591 .015"/.381mm

WWW.PRECISION
.015"/.381mm

WWW.PRECISIONBRAND.COM 6" STAINLESS
.020"/.508mm LOT 39992 .020"/.508mm

WWW.PRECISIONBRAND.COM 6" STAINLESS
.020"/.508mm LOT 39992 .020"/.508mm

WWW.PRECISION
.020"/.508mm

6" BLUE TEMPERED
.005"/.127mm

WWW.PRECISIONBRAND.COM 6" BLUE TEMPERED
.005"/.127mm LOT 30497 .005"/.127mm

WWW.PRECISIONBRAND.COM
.005"/.127mm



PRECISIONBRAND.COM 6" BLUE TEMPERED
/.127mm LOT 90497 .005"/.127mm

WWW.PRECISIONBRAND.COM 6" BLUE TEMPERED
.005"/.127mm LOT 90497 .005"/.127mm

WWW.PRECISIONBRAND.COM 6" BLUE TEMPERED
.005"/.127mm LOT 90497 .005"/.127mm

Distributed by

AJACS

**"It saves so much time, it's like
getting the shim for FREE!"**

1-800-968-6868

This is what Precision Brand® customers are saying about "Branded™ Shim."

By eliminating the time involved identifying their shim stock with a micrometer or even a magnet, customers have realized the value of having the material type, thickness, size and tracking number printed right on it. Some have even calculated that the time savings is greater than the cost of their shim. See, it IS like getting Precision Brand® shim for FREE.



Contents

| | | | |
|---|----|---|----|
| Arbor Spacers & Shims | 30 | Layout Fluid | 14 |
| Arbor Shim Assortment Kits | 31 | Brite-Mark Medium Markers | 14 |
| Plastic Arbor Shims | 32 | Layout Fluid Remover | 14 |
| Blackeners | | Maintenance Kits | 2 |
| ABC Blackener™ | 16 | Measurement Conversion Chart | 48 |
| Tool Black® | 16 | Punch & Die Sets | 10 |
| Coupling Nuts | 44 | “METRIC 10” TruPunch® | 10 |
| Drill Rod | 45 | “THE BIG” TruPunch™ | 10 |
| Oil Hardening | 45 | Punch & Die Stand | 11 |
| Water Hardening | 45 | TruPunch® | 10 |
| Feeler Gage | 17 | Scrubs | 15 |
| Brass Poc-Kit® Assortment | 20 | Shim | 21 |
| Brass Thickness Gage | 20 | 6" & 8" Slotted Shim | 26 |
| Metric (Steel) Feeler Gage | 18 | Aluminum Shim Stock | 24 |
| Plastic Thickness Gage Assortments | 19 | Blue Tempered Shim Stock | 24 |
| Stainless Steel Poc-Kit® Assortment | 19 | Brass Shim Stock | 22 |
| Stainless Steel Thickness Gage | 19 | Color Coded Shim Stock | 25 |
| Steel Feeler Gage | 17 | Copper Shim Stock | 24 |
| Steel Feeler Gage Assortments | 18 | Die Button Shims | 33 |
| Ground Flat Stock | 35 | Laminated Brass Arbor Shims | 29 |
| Hi Spot | 15 | Laminated Shim | 29 |
| Hose Clamps | | Metric Slotted Shim | 28 |
| 316 Stainless Steel Hose Clamps | 40 | Plastic Slotted Shim | 28 |
| 9/16" Band – Heavy Duty 3-Piece Hose Clamps | 38 | Shoulder Screw/Stripper Bolt Shims | 34 |
| 9/16" Band – Heavy Duty 4-Piece Hose Clamps | 39 | Slotted Shim | 26 |
| All Stainless Military Hose Clamps | 40 | Sof' Shoe® Shim | 27 |
| Collared Screw Hose Clamps | 38 | Stainless Steel Shim Stock | 23 |
| Create-A-Clamp | 41 | Steel Shim Stock | 21 |
| Critical Connection Hose Clamps | 39 | Threaded Rod | 42 |
| Miniature Series Hose Clamps | 37 | Alloy Materials | 43 |
| Quick Release Hose Clamps | 41 | Electro Zinc Plated | 42 |
| Shielded/Lined Hose Clamps | 37 | Metric | 44 |
| Standard Series Hose Clamps | 36 | National Coarse Threads | 42 |
| Hot Melt Coating | 8 | National Fine Threads | 42 |
| Melting Pots | 9 | Plain Oil Finish | 42 |
| Keystock | | Specialty Threaded Rod | 43 |
| Metric Keystock | 8 | Tool Wrap | 5 |
| Mill Stock | 7 | Wire | 12 |
| Stainless Steel Keystock | 7 | Music Wire | 12 |
| Steel Keystock | 6 | Stainless Steel Wire | 12 |
| Step Keystock | 9 | | |

The quality products for industry shown in this catalog are sold under one or more of the following trademarks.

PRECISION BRAND.

PRECISION PAK®



ABC BLACKENER™
ABC SEALANT™

“THE BIG” POC-KIT®
“THE BIG” TRU PUNCH™
DRI-SHIELD™
DUPAGE®
FIRST TRY®
“METRIC 10” TRU PUNCH®
MICRO SEAL®

POC-KIT®
PRE-CLEAN™
PREVENT®
SOF' SHOE®
TOOL BLACK®
TRU PUNCH®

Above trademarks are owned by Precision Steel Warehouse, Inc.

Above trademarks are owned by Precision Brand Products, Inc.



ISO 9001:2000 Certified



Look for this symbol, it is displayed by products that are manufactured or stocked exclusively by Precision Brand Products, Inc.

Maintenance Kits

- Handy kits for shop toolroom or toolbox
- On hand when needed saves time and money
- Plastic compartment boxes are easy to store
- Bulk quantities also available

Cotter Pins

UPC No. 12905 – 600 Pcs.

Strong and flexible zinc plated steel pins with one prong extended for easy insertion and bending. Pins also have chisel point ends.



Contents

| | |
|-----|----------------|
| 130 | 1/16" x 1" |
| 100 | 1/8" x 1-1/4" |
| 80 | 1/8" x 2" |
| 150 | 3/32" x 1" |
| 100 | 3/32" x 1-3/4" |
| 40 | 5/32" x 2-1/2" |

Stainless Steel Cotter Pins

UPC No. 12995 – 124 Pcs.

These pins are made from corrosion resistant stainless steel with one prong extended for easy insertion.



Contents

| | |
|----|----------------|
| 8 | 1/16" x 3/4" |
| 8 | 1/16" x 1" |
| 10 | 3/32" x 3/4" |
| 12 | 3/32" x 1" |
| 12 | 3/32" x 1-1/2" |
| 8 | 3/32" x 2" |
| 12 | 1/8" x 1" |
| 8 | 1/8" x 1-1/4" |
| 8 | 1/8" x 1-1/2" |
| 10 | 1/8" x 2" |
| 8 | 5/32" x 1-1/2" |
| 8 | 5/32" x 2" |
| 6 | 3/16" x 1-1/2" |
| 6 | 3/16" x 2" |

Clevis Pins

UPC No. 13965 – 83 Pcs.

Pins are made from cold formed low carbon steel. Plated finish extends life and chamfered hole allows for easy insertion.



Contents

| | | | |
|---|----------------|---|----------------|
| 6 | 3/16" x 1" | 4 | 5/16" x 1-3/4" |
| 7 | 1/4" x 1" | 3 | 5/16" x 2" |
| 4 | 1/4" x 1-1/4" | 2 | 5/16" x 2-1/4" |
| 7 | 1/4" x 1-1/2" | 2 | 5/16" x 2-1/2" |
| 4 | 1/4" x 1-3/4" | 2 | 5/16" x 2-3/4" |
| 6 | 1/4" x 2" | 5 | 3/8" x 1" |
| 3 | 1/4" x 2-1/4" | 4 | 3/8" x 1-1/2" |
| 3 | 1/4" x 2-1/2" | 2 | 3/8" x 2" |
| 6 | 5/16" x 1" | 2 | 1/2" x 1-1/2" |
| 4 | 5/16" x 1-1/4" | 2 | 1/2" x 2" |
| 5 | 5/16" x 1-1/2" | | |

Roll Pins

UPC No. 12925 – 300 Pcs.

Made of flexible spring steel, cold rolled, hardened and tempered. Chamfered ends simplify insertion.



Contents

1/16", 5/64", 3/32", 1/8", 5/32", 3/16", 7/32", 1/4", 5/16" & 3/8" diameters. Four lengths included for each diameter.

Metric Roll Pins

UPC No. 12960 – 287 Pcs.

Made of flexible spring steel, cold rolled, hardened and tempered. Chamfered ends simplify insertion. All sizes in millimeters.



Contents

1.5, 2, 3, 4, 5, 6, 8 and 10 millimeter diameters in various lengths from 6 to 80 millimeters.

Stainless Steel Roll Pins

UPC No. 12990 – 300 Pcs.

These stainless steel roll pins have chamfered ends for ease of insertion.



Contents

1/16", 3/32", 1/8", 3/16", 1/4", 5/16", 3/8" diameters. Various lengths included for each diameter.

O Rings

UPC No. 12930 – 300 Pcs.

Made of BUNA-N 70 durometer rubber compound. Creates a tight seal for fluid or gas connections.



Contents

140 pcs. of 1/16" body, 80 pcs. of 3/32" body and 80 pcs. of 1/8" body. Various sizes are included for each body size.

Metric O Rings

UPC No. 13995 – 350 Pcs.

Made of BUNA-N 70 durometer rubber compound. These metric size rings create a tight seal for fluid or gas connections.



Contents

125 pcs. of 2mm body, 95 pcs. of 2.5mm body and 130 pcs. of 3mm body. Various sizes are included for each body size.

Taper Pins

UPC No. 12907 – 100 Pcs.

Made from low carbon steel. These pins are mainly used for hole alignment in maintenance machinery. They are tapered 1/4" per foot.



Contents

#0, #1, #2, #3, #4, #5, and #6 sizes included. Available in various lengths from 3/4" to 3".

Distributed by

ATCS
1-800-908-6868

Maintenance Kits



E-Clips

UPC No. 12910 – 265 Pcs.

External clips, made of carbon steel to retain positive retention of pulleys, sprockets, springs and bearings on shafts and rods.

Contents



| | |
|----------|----------|
| 30 1/8" | 30 3/8" |
| 20 5/32" | 25 7/16" |
| 30 3/16" | 20 1/2" |
| 20 7/32" | 15 5/8" |
| 30 1/4" | 10 3/4" |
| 30 5/16" | 5 7/8" |



Metric E-Clips

UPC No. 13990 – 255 Pcs.

External metric size clips made of steel, retain positive retention of pulleys, sprockets, springs and bearings on shafts and rods.

Contents



| | |
|----------|---------|
| 35 1.2mm | 10 7mm |
| 30 1.5mm | 10 8mm |
| 30 1.9mm | 10 9mm |
| 25 2.3mm | 5 10mm |
| 20 3.2mm | 10 12mm |
| 15 4mm | 15 15mm |
| 15 5mm | 5 19mm |
| 15 6mm | 5 24mm |



Dowel Pins

UPC No. 12912 – 176 Pcs.

Made from alloy steel, these pins have a plain finish and are used to retain parts in a fixed position or to preserve alignment when extreme accuracy is required.

Contents



Diameters: 1/16", 1/8", 3/16", 1/4", 5/16", 3/8" & 1/2". Available in various lengths from 3/8" to 2".



Housing Rings

UPC No. 12920 – 150 Pcs.

Internal rings with tapered design to maintain constant pressure to prevent slippage of axles, gears and bearings inside machinery housing.

Contents



| | |
|-----------|------------|
| 15 1/2" | 10 1-1/16" |
| 15 5/8" | 10 1-1/8" |
| 15 11/16" | 10 1-1/4" |
| 15 3/4" | 5 1-3/8" |
| 15 13/16" | 5 1-1/2" |
| 15 7/8" | 5 1-5/8" |
| 10 1" | 5 1-3/4" |



Metric Housing Rings

UPC No. 13985 – 218 Pcs.

Internal metric size rings with tapered design to maintain constant pressure to prevent slippage of axles, gears and bearings inside machinery housing.

Contents



| | |
|---------|--------|
| 20 10mm | 8 25mm |
| 15 11mm | 5 26mm |
| 20 12mm | 8 28mm |
| 18 14mm | 8 30mm |
| 15 15mm | 8 32mm |
| 18 16mm | 5 35mm |
| 12 18mm | 3 36mm |
| 10 19mm | 3 37mm |
| 12 20mm | 5 38mm |
| 10 22mm | 5 40mm |
| 10 24mm | |



Hitch Pin Clips

UPC No. 12915 – 150 Pcs.

Reusable, quick release pins for fast assembly and disassembly. Made of spring steel to maintain tension.

Contents



| | |
|----------|-----|
| 60 1/16" | #18 |
| 30 3/32" | #3 |
| 20 3/32" | #7 |
| 20 1/8" | #16 |
| 15 5/32" | #10 |
| 5 3/16" | #6 |



Snap Rings

UPC No. 12900 – 300 Pcs.

External, spring steel snap rings used to retain pulleys, gears or wheels on shafts.

Contents



| | |
|----------|-----------|
| 30 1/4" | 30 5/8" |
| 20 5/16" | 35 3/4" |
| 50 3/8" | 10 13/16" |
| 20 7/16" | 20 7/8" |
| 50 1/2" | 10 1" |
| 20 9/16" | 5 1-1/4" |



Metric Snap Rings

UPC No. 13980 – 295 Pcs.

External, black phosphate coated, metric size spring steel snap rings used to retain pulleys, gears or wheels on shafts.

Contents



| | |
|---------|---------|
| 25 6mm | 15 18mm |
| 20 8mm | 10 19mm |
| 15 9mm | 15 20mm |
| 20 10mm | 10 21mm |
| 20 11mm | 10 22mm |
| 20 12mm | 10 24mm |
| 10 13mm | 10 25mm |
| 20 14mm | 5 28mm |
| 15 15mm | 5 30mm |
| 20 16mm | 5 32mm |
| 10 17mm | 5 35mm |



Retaining Rings

UPC No. 12935 – 140 Pcs.

Similar to housing rings, these external rings accommodate components with large chamfers and radii.

Contents



| | |
|-----------|-----------|
| 20 1/2" | 15 3/4" |
| 20 9/16" | 10 7/8" |
| 20 19/32" | 10 1" |
| 20 5/8" | 10 1-1/4" |
| 15 11/16" | |

Distributed by
ATA
1-800-96-6668

Maintenance Kits



Set Screws

UPC No. 12950 – 200 Pcs.

High grade alloy steel set screws with hexagon recessed heads. Ends have cup points for positive torque.

Contents

- 10 6-32 x 3/16"
- 10 8-32 x 3/16"
- 10 10-24 x 1/4"
- 30 1/4-20 x 1/4"
- 20 1/4-28 x 1/4"
- 20 1/4-20 x 3/8"
- 30 5/16-18 x 3/8"
- 20 5/16-24 x 3/8"
- 20 5/16-18 x 1/2"
- 10 3/8-16 x 3/8"
- 10 3/8-24 x 3/8"
- 10 3/8-16 x 1/2"



Metric Set Screws

UPC No. 12975 – 375 Pcs.

High grade alloy steel metric set screws with hexagon recessed heads. Ends have cup points for positive torque.

Contents

- 25 M3 x 0.5mm x 3mm
- 25 M3 x 0.5mm x 6mm
- 25 M3 x 0.5mm x 10mm
- 25 M4 x 0.7mm x 4mm
- 25 M4 x 0.7mm x 6mm
- 25 M4 x 0.7mm x 10mm
- 25 M5 x 0.8mm x 5mm
- 25 M5 x 0.8mm x 8mm
- 25 M5 x 0.8mm x 12mm
- 25 M6 x 1.0mm x 6mm
- 25 M6 x 1.0mm x 8mm
- 25 M6 x 1.0mm x 10mm
- 25 M8 x 1.25mm x 8mm
- 25 M8 x 1.25mm x 12mm
- 25 M8 x 1.25mm x 16mm



Stainless Steel Set Screws

UPC No. 13935 – 220 Pcs.

These stainless steel set screws have hexagon recessed heads and cup points ends for positive torque.

Contents

- 5 4-40 x 3/16"
- 10 6-32 x 3/16"
- 5 6-32 x 1/4"
- 10 8-32 x 3/16"
- 5 8-32 x 1/4"
- 10 10-24 x 1/4"
- 5 10-32 x 1/4"
- 5 10-32 x 3/8"
- 25 1/4-20 x 1/4"
- 20 1/4-20 x 3/8"
- 5 1/4-20 x 1/2"
- 20 1/4-28 x 1/4"
- 25 5/16-18 x 3/8"
- 20 5/16-18 x 1/2"
- 20 5/16-24 x 3/8"
- 10 3/8-16 x 3/8"
- 10 3/8-16 x 1/2"
- 10 3/8-24 x 3/8"



Socket Head Cap Screws

UPC No. 12970 – 190 Pcs.

High grade alloy steel socket head screws with hexagon recessed heads.

Contents

- 10 6-32 x 1/2"
- 10 6-32 x 1"
- 10 8-32 x 1/2"
- 10 8-32 x 3/4"
- 10 8-32 x 1"
- 10 10-32 x 1/2"
- 10 10-32 x 3/4"
- 10 10-32 x 1"
- 10 10-24 x 1/2"
- 10 10-24 x 1"
- 10 1/4-20 x 1/2"
- 10 1/4-20 x 3/4"
- 10 1/4-20 x 1"
- 10 1/4-20 x 1-1/4"
- 10 1/4-20 x 1-1/2"
- 10 1/4-28 x 3/4"
- 10 1/4-28 x 1"
- 10 1/4-28 x 1-1/4"
- 10 1/4-28 x 1-1/2"



Metric Socket Head Cap Screws

UPC No. 12980 – 255 Pcs.

High grade alloy steel metric cap screws with hexagon recessed heads.

Contents

- 25 M4 x 0.7mm x 10mm
- 25 M4 x 0.7mm x 12mm
- 25 M4 x 0.7mm x 20mm
- 25 M4 x 0.7mm x 25mm
- 25 M5 x 0.8mm x 12mm
- 25 M5 x 0.8mm x 20mm
- 10 M5 x 0.8mm x 25mm
- 10 M5 x 0.8mm x 30mm
- 10 M6 x 1.0mm x 12mm
- 10 M6 x 1.0mm x 20mm
- 10 M6 x 1.0mm x 25mm
- 10 M6 x 1.0mm x 30mm
- 10 M6 x 1.0mm x 40mm
- 10 M8 x 1.25mm x 20mm
- 10 M8 x 1.25mm x 25mm
- 10 M8 x 1.25mm x 30mm
- 3 M8 x 1.25mm x 40mm
- 2 M8 x 1.25mm x 45mm



Machinery Keys

UPC No. 12955 – 58 Pcs.

Zinc plated steel, square keys have smooth corners for easy insertion into keyways.

Contents

- 3 1/8" x 1/8" x 3/4"
- 3 1/8" x 1/8" x 1"
- 5 3/16" x 3/16" x 3/4"
- 5 3/16" x 3/16" x 1"
- 5 3/16" x 3/16" x 1-1/4"
- 5 1/4" x 1/4" x 3/4"
- 5 1/4" x 1/4" x 1-1/4"
- 5 1/4" x 1/4" x 1-1/2"
- 5 5/16" x 5/16" x 1-1/4"
- 5 5/16" x 5/16" x 1-1/2"
- 5 3/8" x 3/8" x 1-1/4"
- 5 3/8" x 3/8" x 1-1/2"
- 2 1/2" x 1/2" x 1-1/2"



Grease Fittings

UPC No. 12945 – 90 Pcs.

These push type, plated fittings permit lubricant to flow while built-in ball, under spring pressure, prevents dirt from entering.

Contents

- 30 1/4" 28-Straight
- 10 1/4" 28-45°
- 10 1/4" 28-90°
- 30 1/8" NPT-Straight
- 5 1/8" NPT-45°
- 5 1/8" NPT-90°



Metric Grease Fittings

UPC No. 13975 – 95 Pcs.

These metric size, push type, plated fittings permit lubricant to flow while built-in ball, under spring pressure, prevents dirt from entering.

Contents

- 20 6mm x 1mm x Straight
- 10 6mm x 1mm x 45°
- 10 6mm x 1mm x 90°
- 20 8mm x 1mm x Straight
- 10 8mm x 1mm x 45°
- 10 8mm x 1mm x 90°
- 5 10mm x 1mm x Straight
- 5 10mm x 1mm x 45°
- 5 10mm x 1mm x 90°



Electrical Terminals

UPC No. 12985 – 175 Pcs.

High quality terminals and connectors for industrial and automotive applications.

Contents

- 30 Butt Connectors
- 20 Insulated Quick Slide Terminals
- 20 Non-insulated Quick Slide Terminals
- 5 Self-Splicing Connectors
- 40 Spade Terminals
- 60 Ring Terminals



Maintenance Kits



Woodruff Keys

UPC No. 12940 – 250 Pcs.

Precise, zinc plated steel keys used for pulleys and drive shaft applications.

Contents



| | |
|-----------------|-----------------|
| 10 1/16" x 3/8" | 5 3/16" x 5/8" |
| 20 3/32" x 3/8" | 20 1/8" x 3/4" |
| 10 1/8" x 3/8" | 10 5/32" x 3/4" |
| 10 1/16" x 1/2" | 20 3/16" x 3/4" |
| 20 3/32" x 1/2" | 5 1/4" x 3/4" |
| 20 1/8" x 1/2" | 5 5/32" x 7/8" |
| 10 3/32" x 5/8" | 5 3/16" x 7/8" |
| 30 1/8" x 5/8" | 5 7/32" x 7/8" |
| 40 5/32" x 5/8" | 5 1/4" x 7/8" |



Stainless Steel Woodruff Keys

UPC No. 13970 – 66 Pcs.

Precise, stainless steel keys used for pulley and drive shaft applications where corrosion resistance is a factor.

Contents



| | |
|----------------|----------------|
| 5 1/6" x 3/8" | 4 3/16" x 5/8" |
| 5 3/32" x 3/8" | 4 1/8" x 3/4" |
| 5 1/8" x 3/8" | 4 5/32" x 3/4" |
| 5 1/16" x 1/2" | 4 3/16" x 3/4" |
| 5 3/32" x 1/2" | 4 1/4" x 3/4" |
| 5 1/8" x 1/2" | 3 3/16" x 7/8" |
| 4 1/8" x 5/8" | 3 1/4" x 7/8" |
| 4 5/32" x 5/8" | 2 1/4" x 1" |



Plastic Hose Clamps

UPC No. 12965 – 146 Pcs.

These clamps are heat stabilized for motor applications, lightweight and corrosion resistant.

Contents



| |
|-------------------|
| 12 .228" x .256" |
| 12 .307" x .342" |
| 12 .351" x .394" |
| 12 .404" x .452" |
| 12 .449" x .511" |
| 12 .513" x .586" |
| 10 .569" x .650" |
| 10 .616" x .707" |
| 10 .702" x .801" |
| 10 .779" x .899" |
| 8 .859" x .989" |
| 8 .928" x 1.072" |
| 6 .985" x 1.135" |
| 6 1.123" x 1.296" |
| 6 1.218" x 1.405" |

Distributed by

Tool Wrap



- PRECISION BRAND Tool Wrap is made of Type 321, or Type 309, soft annealed, stainless steel
- Helps protect from scale and oxide buildup during heat treating in atmospheric furnaces
- Eliminates decarburization buildup
- Protects the surface of air hardening tool steels
- Cut-to-fit stainless steel tool wrap creates an airtight envelope around your part

- Can be cut, folded and crease-sealed with ease
- 321 can be used in furnaces up to 2000°F (1093°C)
- 309 can be used in furnaces up to 2240°F (1227°C)
- You realize the benefits of a vacuum furnace at a fraction of the cost

1-800-968-6868

Stainless Steel Tool Wrap

| Description | UPC No. | Lb. Wgt. |
|--|---------|----------|
| Approx. 24" wide x 50' long x .002" thick 321 Stainless | 20110 | 9.00 |
| Approx. 24" wide x 100' long x .002" thick 321 Stainless | 20210 | 17.50 |
| Approx. 12" wide x 50' long x .002" thick 321 Stainless | 20310 | 5.25 |
| Approx. 12" wide x 100' long x .002" thick 321 Stainless | 20410 | 9.25 |
| Approx. 24" wide x 50' long x .002" thick 309 Stainless – Hi Temp | 20610 | 9.25 |
| Approx. 24" wide x 100' long x .002" thick 309 Stainless – Hi Temp | 20710 | 17.75 |
| Approx. 12" wide x 50' long x .002" thick 309 Stainless – Hi Temp | 20810 | 4.10 |
| Approx. 12" wide x 100' long x .002" thick 309 Stainless – Hi Temp | 20910 | 9.25 |
| Seam Roller Tool - Sold Separately | 20215 | .25 |

Steel Keystock



- PRECISION BRAND Keystock is used to provide driving torque between shafts and pulleys, gears, sprockets, etc.
- Material is high quality steel
- Most tolerances on dimensions are oversized to assure tight fits in keyways for positive, zero backlash power transmission
- Sizes are clearly marked on each piece

12" Square Steel Keystock

| Size | Zinc Plated | | | Plain |
|------------|--------------|---------------|---------------|---------------|
| | Bdl. UPC No. | Pcs. Per Bdl. | Bdl. Lb. Wgt. | Piece UPC No. |
| 3/32 | 14125 | 10 | .29 | 54125 |
| 1/8 | 14150 | 10 | .53 | 54150 |
| 5/32 | 14175 | 10 | .83 | 54175 |
| 3/16* | 14200 | 6 | .72 | 54200 |
| 7/32 | 14225 | 6 | .98 | 54225 |
| 1/4* | 14250 | 6 | 1.28 | 54250 |
| 9/32 | 14275 | 6 | 1.62 | 54275 |
| 5/16* | 14300 | 6 | 2.00 | 54300 |
| 3/8* | 14325 | 6 | 2.87 | 54325 |
| 7/16* | 14350 | 4 | 2.60 | 54350 |
| 1/2* | 14375 | 4 | 3.40 | 54375 |
| 9/16 | 14400 | 4 | 4.32 | 54400 |
| 5/8 | 14425 | 4 | 5.31 | 54425 |
| 11/16 | 14430 | 4 | 6.43 | 54430 |
| 3/4 | 14450 | 4 | 7.65 | 54450 |
| 13/16 | 14460 | 4 | 9.00 | 54470 |
| 7/8 | 14475 | 4 | 10.41 | 54475 |
| 1 | 14500 | 4 | 13.60 | 54500 |
| 1-1/8 | 14525 | 2 | 8.61 | 54525 |
| 1-3/16 | 14550 | 2 | 9.59 | 54550 |
| 1-1/4 | 14575 | 2 | 10.63 | 54575 |
| 1-3/8 | 14600 | 2 | 12.86 | 54600 |
| 1-1/2 | 14625 | 2 | 15.30 | 54625 |
| 1-5/8 | 14635 | 1 | 8.98 | 54635 |
| 1-3/4 | 14650 | 1 | 10.41 | 54650 |
| 1-7/8 | 14655 | 1 | 11.95 | 54655 |
| 2 | 14675 | 1 | 13.60 | 54675 |
| Assortment | 14680 | 32 | 12.87 | - |

* Assortment contains 1 bundle of each size indicated.

36" Square Steel Keystock

| Size | Zinc Plated | | | Plain |
|------------|--------------|---------------|---------------|---------------|
| | Bdl. UPC No. | Pcs. Per Bdl. | Bdl. Lb. Wgt. | Piece UPC No. |
| 1/8 | 14700 | 10 | 1.60 | 54149 |
| 3/16* | 14710 | 10 | 3.60 | 54199 |
| 1/4* | 14720 | 10 | 6.40 | 54249 |
| 5/16 | 14730 | 10 | 10.00 | 54299 |
| 3/8* | 14740 | 10 | 14.30 | 54324 |
| 1/2* | 14750 | 10 | 25.50 | 54374 |
| 5/8 | 14760 | 6 | 23.90 | 54424 |
| 3/4* | 14770 | 6 | 34.40 | 54449 |
| 7/8 | 14780 | 6 | 46.90 | 54474 |
| 1 | 14790 | 2 | 20.40 | 54499 |
| 1-3/16 | 14800 | 2 | 28.80 | 54549 |
| 1-1/4 | 14810 | 2 | 31.90 | 54574 |
| 1-3/8 | 14820 | 2 | 38.60 | 54599 |
| 1-1/2 | 14830 | 2 | 45.90 | 54624 |
| Assortment | 14999 | 46 | 84.24 | - |

* Assortment contains 1 bundle of each size indicated.

12" Rectangular Steel Keystock

| Size | Zinc Plated | | | Plain |
|-------------|--------------|---------------|---------------|---------------|
| | Bdl. UPC No. | Pcs. Per Bdl. | Bdl. Lb. Wgt. | Piece UPC No. |
| 1/8 x 3/16 | 15125 | 6 | .48 | 55125 |
| 1/8 x 1/4 | 15150 | 6 | .63 | 55150 |
| 1/8 x 3/8 | 15175 | 6 | .95 | 55175 |
| 3/16 x 1/4 | 15200 | 6 | .97 | 55200 |
| 3/16 x 5/16 | 15225 | 6 | 1.19 | 55225 |
| 3/16 x 3/8 | 15250 | 6 | 1.43 | 55250 |
| 3/16 x 1/2 | 15275 | 6 | 1.91 | 55275 |
| 1/4 x 5/16 | 15300 | 6 | 1.60 | 55300 |
| 1/4 x 3/8* | 15325 | 6 | 1.91 | 55325 |
| 1/4 x 1/2* | 15350 | 6 | 2.55 | 55350 |
| 5/16 x 3/8* | 15375 | 6 | 2.39 | 55375 |
| 5/16 x 7/16 | 15385 | 6 | 2.79 | 55385 |
| 5/16 x 1/2* | 15400 | 6 | 3.19 | 55400 |
| 5/16 x 5/8 | 15425 | 6 | 3.98 | 55425 |
| 3/8 x 7/16 | 15445 | 6 | 3.35 | 55445 |
| 3/8 x 1/2* | 15450 | 6 | 3.83 | 55450 |
| 3/8 x 5/8 | 15475 | 6 | 4.78 | 55475 |
| 3/8 x 3/4 | 15500 | 6 | 5.74 | 55500 |
| 7/16 x 1/2 | 15515 | 6 | 4.50 | 55512 |
| 7/16 X 5/8 | 15510 | 6 | 5.58 | 55505 |
| 1/2 X 9/16 | 15520 | 6 | 5.74 | 55515 |
| 1/2 x 5/8* | 15525 | 6 | 6.38 | 55525 |
| 1/2 x 3/4* | 15550 | 6 | 7.65 | 55550 |
| 1/2 X 7/8 | 15555 | 6 | 8.93 | 55555 |
| 9/16 X 1 | 15570 | 6 | 11.48 | 55566 |
| 5/8 x 3/4* | 15575 | 4 | 6.36 | 55575 |
| 5/8 X 7/8 | 15585 | 4 | 7.44 | 55585 |
| 5/8 x 1 | 15600 | 4 | 8.52 | 55600 |
| 3/4 x 7/8 | 15615 | 4 | 8.92 | 55615 |
| 3/4 x 1 | 15625 | 4 | 10.20 | 55625 |
| 3/4 X 1-1/4 | 15635 | 4 | 12.75 | 55635 |
| 7/8 x 1 | 15645 | 4 | 11.90 | 55645 |
| 7/8 x 1-1/4 | 15655 | 4 | 14.88 | 55655 |
| 1 X 1-1/4 | 15665 | 4 | 17.00 | 55665 |
| 1 X 1-1/2 | 15675 | 4 | 20.40 | 55675 |
| Assortment | 15680 | 16 | 12.50 | - |

* Assortment contains 2 pieces of each size indicated.

Stainless Steel Keystock



- PRECISION BRAND Stainless Steel Keystock is an excellent alternative to Steel Keystock when corrosion resistance is a concern
- Frequently used in food and marine applications
- Made from 300 series stainless steel
- Most tolerances on square dimensions are undersized

12" Rectangular Stainless Keystock

| Size | | Piece UPC No. | Piece Lb. Wgt. |
|----------------------------------|----------------|---------------------|----------------------|
| Fraction Thickness x Width | Metric (mm) | | |
| 3/16 x 1/2 | 4.76 x 12.70 | 53501 | .32 |
| 1/4 x 1/2 | 6.35 x 12.70 | 53502 | .43 |
| 3/8 x 1/2 | 9.53 x 12.70 | 53503 | .64 |
| 3/8 x 3/4 | 9.53 x 19.05 | 53504 | .96 |
| 1/2 x 3/4 | 12.70 x 19.05 | 53505 | 1.28 |
| 5/8 x 3/4 | 15.88 x 19.05 | 53506 | 1.59 |
| 5/8 x 1 | 15.88 x 25.40 | 53507 | 2.13 |
| 3/4 x 1 | 19.05 x 25.40 | 53508 | 2.55 |

12" Square Stainless Steel Keystock

| Size | | Piece UPC No. | Piece Lb. Wgt. |
|--------------|----------------|---------------------|----------------------|
| Fraction | Metric (mm) | | |
| 1/8 | 3.18 | 57501 | .05 |
| 3/16* | 4.76 | 57502 | .12 |
| 1/4* | 6.35 | 57503 | .21 |
| 5/16* | 7.94 | 57504 | .33 |
| 3/8* | 9.53 | 57505 | .48 |
| 7/16* | 11.11 | 57506 | .65 |
| 1/2* | 12.70 | 57507 | .85 |
| 5/8 | 15.88 | 57508 | 1.33 |
| 3/4 | 19.05 | 57509 | 1.91 |
| 7/8 | 22.23 | 57510 | 2.60 |
| 1 | 25.40 | 57511 | 3.40 |
| Assortment * | | 57680 | 11.10 |

* Assortment contains 4 pieces of each size indicated.

Distributed by

Mill Stock (Undersized Keystock)



- PRECISION BRAND Mill Stock is used in many keystock applications
- Material is high quality, low carbon steel
- For closer or undersized dimension tolerances
- Plain finish (unplated)

12" Mill Stock

| Size | | Bdl. UPC No. | Pcs. Per Bdl. | Bdl. Lb. Wgt. |
|------------|--------|--------------------|---------------------|---------------------|
| Fraction | Metric | | | |
| 1/8 | 3.18 | 56501 | 6 | .32 |
| 3/16* | 4.76 | 56502 | 6 | .72 |
| 1/4* | 6.35 | 56503 | 6 | 1.28 |
| 5/16* | 7.94 | 56504 | 6 | 2.00 |
| 3/8* | 9.53 | 56505 | 6 | 2.87 |
| 7/16* | 11.11 | 56506 | 4 | 2.60 |
| 1/2* | 12.70 | 56507 | 4 | 3.40 |
| 5/8 | 15.88 | 56508 | 1 | 1.33 |
| 3/4 | 19.05 | 56509 | 1 | 1.91 |
| 7/8 | 22.23 | 56510 | 1 | 2.60 |
| 1 | 25.40 | 56511 | 1 | 3.40 |
| Assortment | | 56680 | 32 | 13.70 |

* Assortment contains 1 bundle of each size indicated.

1-800-968-6868

Metric Keystock



- PRECISION BRAND Metric Keystock is used to accommodate metric keyways
- True metric keystock that conforms to metric keyway specifications
- Material is high quality, cold drawn steel
- Gold dichromate plating on most sizes makes product identification easy
- Sizes are clearly marked on each piece
- Meter and special lengths also available

12" Square Gold Plated Metric Keystock

| Size | Bdl. UPC No. | Pcs. Per Bdl. | Bdl. Lb. Wgt. |
|------------|--------------|---------------|---------------|
| 2mm** | 04000 | 6 | .10 |
| 3mm** | 04005 | 6 | .29 |
| 4mm* | 04010 | 6 | .51 |
| 5mm* | 04015 | 6 | .79 |
| 6mm* | 04020 | 6 | 1.14 |
| 7mm | 04025 | 6 | 1.55 |
| 8mm* | 04030 | 6 | 2.02 |
| 10mm* | 04035 | 4 | 2.11 |
| 12mm* | 04040 | 4 | 3.03 |
| 14mm | 04045 | 4 | 4.13 |
| 16mm | 04050 | 4 | 5.39 |
| 18mm | 04055 | 4 | 6.82 |
| 20mm | 04060 | 1 | 2.11 |
| 22mm | 04065 | 1 | 2.55 |
| 25mm** | 04070 | 1 | 3.29 |
| Assortment | 04680 | 32 | 10.50 |

* Assortment contains 1 bundle of each size indicated.

** Only available in plain finish.

12" Rectangular Gold Plated Metric Keystock

| Size Width x Thickness | Bdl. UPC No. | Pcs. Per Bdl. | Bdl. Lb. Wgt. |
|------------------------------|--------------|---------------|---------------|
| 8mm x 5mm | 05000 | 6 | 1.27 |
| 10mm x 6mm | 05005 | 6 | 1.91 |
| 12mm x 6mm | 05010 | 6 | 2.29 |
| 14mm x 6mm | 05015 | 6 | 2.70 |
| 8mm x 7mm | 05020 | 6 | 1.77 |
| 16mm x 7mm | 05025 | 6 | 3.60 |
| 18mm x 7mm | 05030 | 6 | 3.90 |
| 10mm x 8mm | 05035 | 6 | 2.53 |
| 12mm x 8mm | 05040 | 6 | 3.03 |
| 20mm x 8mm | 05045 | 6 | 5.10 |
| 14mm x 9mm | 05050 | 6 | 3.98 |
| 22mm x 9mm | 05055 | 4 | 6.30 |
| 12mm x 10mm | 05060 | 4 | 2.53 |
| 16mm x 10mm | 05065 | 4 | 3.37 |
| 18mm x 11mm | 05070 | 4 | 4.17 |
| 20mm x 12mm | 05075 | 4 | 5.05 |
| 22mm x 14mm | 05080 | 4 | 6.49 |
| 25mm x 14mm | 05085 | 4 | 7.37 |
| 28mm x 16mm | 05090 | 4 | 9.43 |
| 32mm x 18mm | 05095 | 4 | 12.13 |
| 36mm x 20mm | 05100 | 1 | 3.79 |
| 25mm x 22mm | 05120 | 1 | 2.90 |
| 40mm x 22mm** | 05105 | 1 | 4.63 |
| 28mm x 25mm | 05125 | 1 | 3.73 |
| 45mm x 25mm** | 05110 | 1 | 5.92 |
| 50mm x 28mm** | 05115 | 1 | 7.37 |

** Only available in plain finish.

Hot Melt Coating



- PRECISION BRAND Hot Melt Strippable Protective Coating protects tools, gauges and metal parts from nicks, corrosion and abrasions during storage and shipping
- Packaged in convenient 5 lb. bags
- Available in two formulas: TYPE 1 and TYPE 2
- Five transparent colors: amber, clear, red, green and blue
- Poly bag packaging means easy handling and storage

- Easy to use, coating is presliced into manageable pieces
- Other colors and types available on special order
- Set time is less than 60 seconds
- To remove, coating peels right off
- Melting temperature:
TYPE 1 = 340-350°F
TYPE 2 = 320-340°F

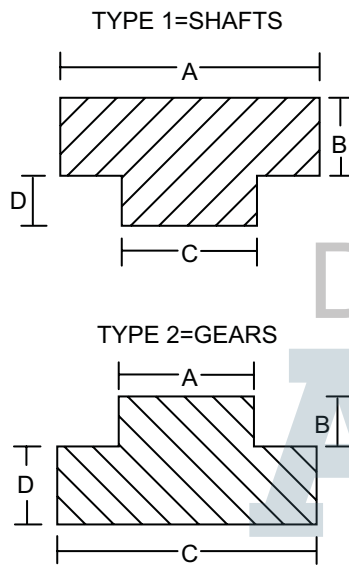
Hot Melt Strippable Protective Coating

| Color | TYPE 1 (Ethylcellulose Base) | | TYPE 2 (Cellulose Acetate Butyrate Base) | |
|-------|------------------------------|--|--|--|
| | 5 lb. Bag UPC No. | 30 lb. Case* (Six 5 lb. bags) UPC No. | 5 lb. Bag UPC No. | 30 lb. Case* (Six 5 lb. bags) UPC No. |
| Amber | 43005 | 43105 | 43305 | 43405 |
| Clear | 43010 | 43110 | 43310 | 43410 |
| Red | 43015 | 43115 | 43315 | 43415 |
| Green | 43020 | 43120 | 43320 | 43420 |
| Blue | 43025 | 43125 | 43325 | 43425 |

* One color



12" Zinc Plated Step Keystock



| Type | Dimensions | | | | Piece UPC No. | Piece Lb. Wgt. |
|-------------|------------|------|-------|------|---------------|----------------|
| | A | B | C | D | | |
| 1 | 3/16 | 3/32 | 1/8 | 1/16 | 15801* | .12 |
| 2 | 3/16 | 3/32 | 1/4 | 3/32 | 15802 | .16 |
| 2 | 3/16 | 3/32 | 1/4 | 1/8 | 15803* | .21 |
| 2 | 1/4 | 1/8 | 5/16 | 1/8 | 15804* | .27 |
| 2 | 1/4 | 1/8 | 3/8 | 1/8 | 15805 | .32 |
| 2 | 1/4 | 1/8 | 3/8 | 3/16 | 15806* | .40 |
| 1 | 3/8 | 3/16 | 5/16 | 1/8 | 15807 | .40 |
| 1 | 3/8 | 3/16 | 5/16 | 5/32 | 15808* | .48 |
| 2 | 3/8 | 3/16 | 7/16 | 5/32 | 15809 | .56 |
| 2 | 3/8 | 3/16 | 1/2 | 3/16 | 15810 | .64 |
| 2 | 3/8 | 3/16 | 1/2 | 1/4 | 15811* | .75 |
| 1 | 1/2 | 1/4 | 7/16 | 5/32 | 15812 | .75 |
| 2 | 1/2 | 1/4 | 9/16 | 3/16 | 15813 | .93 |
| 2 | 1/2 | 1/4 | 5/8 | 3/16 | 15814 | .93 |
| 2 | 1/2 | 1/4 | 5/8 | 5/16 | 15815* | 1.20 |
| 2 | 1/2 | 1/4 | 11/16 | 1/4 | 15816 | 1.28 |
| 1 | 5/8 | 5/16 | 3/8 | 3/16 | 15817 | 1.06 |
| 2 | 5/8 | 5/16 | 11/16 | 1/4 | 15818 | 1.43 |
| 1 | 3/4 | 3/8 | 1/2 | 1/4 | 15819 | 1.60 |
| 1 | 3/4 | 3/8 | 5/8 | 3/16 | 15820 | 1.43 |
| 1 | 3/4 | 3/8 | 5/8 | 5/16 | 15821 | 1.91 |
| 1 | 3/4 | 3/8 | 11/16 | 1/4 | 15822 | 1.60 |
| 2 | 3/4 | 3/8 | 13/16 | 9/32 | 15823 | 2.25 |
| 2 | 3/4 | 3/8 | 7/8 | 7/16 | 15824 | 2.61 |
| 2 | 3/4 | 3/8 | 15/16 | 5/16 | 15825 | 2.99 |
| 2 | 3/4 | 3/8 | 1 | 1/2 | 15826 | 2.98 |
| 1 | 1 | 1/2 | 7/8 | 7/16 | 15827 | 3.40 |
| Assortment* | | | | | 15899 | 6.82 |

- Used in the transmission of power from a shaft to a gear, sprocket, sheave, pulley, coupling, etc.
- Often referred to as "Offset Keystock"
- Made from low carbon steel material
- Type 1 used for shafts
- Type 2 used for gears, sprockets, etc.
- Sold by individual piece

* Assortment contains 1 piece of each size indicated.

Melting Pots



- Round, cast aluminum, thermostatically controlled
- Includes cover, 6 foot 3 wire grounded cord and plug
- Temperature control ranges from 150 to 450°F
- All units are 115/120 Volt
- Other sizes available on special order

Melting Pots

| Size | Watts | Inside Diameter | Inside Depth | Lb. Wgt. | UPC No. |
|----------------------|-------|-----------------|--------------|----------|---------|
| 1 pint (1/2 qt.) | 400 | 3.5" | 3" | 5 | 43900 |
| 1 quart | 600 | 5" | 3.5" | 8 | 43905 |
| 2 quarts | 600 | 5.5" | 5" | 9 | 43910 |
| 4 quarts (1 gallon)* | 1250 | 8" | 5" | 20 | 43915 |

* Gallon pots may be square with dimensions different than those listed above.

TruPunch® Punch & Die Sets

The First Self-Centering Punch & Die

- PRECISION BRAND TruPunch® sets make perfect, custom washers, shims and gaskets in seconds
- Eliminates time and material wasted with conventional punch & dies
- No guess work needed to center the I.D.
- No need to scribe center lines
- Exclusive, patented punch, pilot and pin system
- Packaged in a durable plastic case

See our on-line product demonstration at www.precisionbrand.com!

How to use the PRECISION BRAND TruPunch® sets:

1. Punch the I.D. hole first
2. Attach the appropriate I.D. pilot to the O.D. punch
3. Place the material between the top and base plates so the I.D. hole is beneath the O.D. guide hole
4. Insert the O.D. punch so that the I.D. pilot moves into the I.D. hole which will automatically center the material. Make sure the O.D. punch has been pushed completely through the top plate and is touching the material
5. Strike the punch squarely with enough force to penetrate the material with one blow



- **TruPunch®** by PRECISION BRAND can accommodate O.D. sizes up to 3/4"
- Nine punch sizes: 1/8", 3/16", 1/4", 5/16", 3/8", 7/16", 1/2", 5/8" and 3/4"
- Eight I.D. pilot sizes: 1/8", 3/16", 1/4", 5/16", 3/8", 7/16", 1/2" and 5/8"
- Cut steel, brass, copper, aluminum, rubber and plastic effortlessly up to .025" thick
- Cut stainless and blue tempered shim up to .010" thick

TruPunch® Punch & Die Set

| Description | UPC No. |
|--|---------|
| Complete TruPunch® Punch & Die Set | 40110 |
| Replacement Punches, Pins & Pilots (complete set only) | 40115 |



- **"THE BIG" TruPunch™** by PRECISION BRAND can accommodate O.D. sizes up to 1-1/4"
- Four punch sizes: 7/8", 1", 1-1/8" and 1-1/4"
- Four I.D. pilot sizes: 3/4", 7/8", 1" and 1-1/8"
- Works in conjunction with PRECISION BRAND's TruPunch® #40110 (see above), I.D. pilots are interchangeable to allow for 77 O.D. and I.D. shim combinations
- Cut brass, copper, aluminum, rubber and plastic effortlessly up to .020" thick
- Cut steel up to .015" thick
- Cut stainless and blue tempered shim up to .010" thick

"The Big" TruPunch™ Punch & Die Set

| Description | UPC No. |
|--|---------|
| Complete "THE BIG" TruPunch™ Punch & Die Set | 40200 |
| Replacement Punches, Pins & Pilots (complete set only) | 40215 |



- **"METRIC 10" TruPunch®** by PRECISION BRAND is the first "true metric" self-centering punch & die set
- Ten punch sizes: 3mm, 4mm, 5mm, 6mm, 7mm, 8mm, 10mm, 12mm, 16mm and 20mm
- Nine I.D. pilot sizes: 3mm, 4mm, 5mm, 6mm, 7mm, 8mm, 10mm, 12mm and 16mm
- This set is able to produce 44 different I.D. and O.D. shim combinations
- Cut steel, brass, copper, aluminum, rubber and plastic effortlessly up to .635mm thick
- Cut stainless and blue tempered shim up to .25mm thick

"Metric 10" TruPunch® Punch & Die Set

| Description | UPC No. |
|--|---------|
| Complete "METRIC 10" TruPunch® Punch & Die Set | 40300 |
| Replacement Punches, Pins & Pilots (complete set only) | 40315 |

Punch & Die Set



- Traditional style punch & die set
- Economical way to make washers, shims and gaskets
- Cut steel, brass, copper, aluminum, rubber and plastic up to .025" thick
- Cut stainless and blue tempered shim up to .010" thick
- Clear plastic top plate is marked with accurate center lines
- Nine punch sizes: 1/8", 3/16", 1/4", 5/16", 3/8", 7/16", 1/2", 5/8" and 3/4"

Punch & Die Set

| Description | UPC No. |
|---|---------|
| Complete Punch & Die Set | 40105 |
| Replacement Punches (complete set only) | 40100 |

Punch & Die Stand



(Die sold separately)

- PRECISION BRAND Punch & Die Stand provides solid support for consistent shim and washer fabricating
- Custom fit, sturdy steel die stand holds dies from any of the Precision Brand sets: 40105, 40110, 40200 and 40300
- Stand allows for easy access to cut shims and washers
- Elevated die allows punches to fall clean, reduces shim burrs and decreases possible damage to punches
- The last hammer hit to push the punch completely through the die is eliminated, thus reducing risk of injury to the hand holding the die during this process

Punch & Die Stand

| Description | UPC No. |
|-------------|---------|
| Die Stand | 40999 |

Wire



- PRECISION BRAND Music Wire is spring tempered and made from high carbon steel alloy
- High tensile strength and high fatigue resistance
- Applications include springs, wire forms, control linkages, armature binding, ceramic cutting and a variety of industrial uses
- Most wire is available in **cut-and-straightened** lengths and in bulk quantities as a special order.
- PRECISION BRAND Stainless Steel Wire is spring tempered, full hard, 300 series stainless steel wire
- Excellent corrosion resistant qualities and smooth finish
- Same applications as Music Wire
- All packaged wire is shrink wrapped and bar coded. .006" to .078" are packaged in easy to use pull-type dispenser boxes.

Music Wire

Stainless Steel

| Diameter | | Approx. Feet Per lb. | Tensile Strength (ksi) min.-max. | 1 lb. UPC No. | 1/4 lb. UPC No. | Tensile Strength (ksi) min.-max. | 1 lb. UPC No. |
|----------|-------------|----------------------|----------------------------------|---------------|-----------------|----------------------------------|---------------|
| Decimal | Metric (mm) | | | | | | |
| .006 | .152 | 10,404 | 415-455 | 21006 | 21206 | 325-355 | 29006 |
| .007 | .178 | 7,644 | 407-447 | 21007 | 21207 | 325-355 | 29007 |
| .008 | .203 | 5,853 | 399-434 | 21008 | 21208 | 325-355 | 29008 |
| .009 | .229 | 4,624 | 393-428 | 21009 | 21209 | 325-355 | 29009 |
| .010 | .254 | 3,746 | 387-422 | 21010 | 21210 | 320-350 | 29010 |
| .011 | .279 | 3,096 | 382-417 | 21011 | 21211 | 318-348 | 29011 |
| .012 | .305 | 2,601 | 377-412 | 21012 | 21212 | 316-346 | 29012 |
| .013 | .330 | 2,217 | 373-408 | 21013 | 21213 | 314-344 | 29013 |
| .014 | .356 | 1,911 | 369-404 | 21014 | 21214 | 312-342 | 29014 |
| .016 | .406 | 1,464 | 362-392 | 21016 | 21216 | 308-338 | 29016 |
| .018 | .457 | 1,156 | 356-386 | 21018 | 21218 | 304-334 | 29018 |
| .020 | .508 | 937 | 350-380 | 21020 | 21220 | 300-330 | 29020 |
| .022 | .559 | 774 | 345-375 | 21022 | 21222 | 296-326 | 29022 |
| .024 | .610 | 651 | 341-371 | 21024 | 21224 | 292-322 | 29024 |
| .026 | .660 | 555 | 337-367 | 21026 | 21226 | 291-320 | 29026 |
| .029 | .737 | 446 | 333-363 | 21029 | 21229 | 285-315 | 29029 |
| .031 | .787 | 390 | 330-360 | 21031 | 21231 | 285-315 | 29031 |
| .033 | .838 | 344 | 327-357 | 21033 | 21233 | 282-310 | 29033 |
| .035 | .889 | 306 | 324-354 | 21035 | 21235 | 280-308 | 29035 |
| .037 | .940 | 274 | 321-351 | 21037 | 21237 | 280-308 | 29037 |
| .039 | .991 | 247 | 318-348 | 21039 | 21239 | 275-304 | 29039 |
| .041 | 1.041 | 223 | 315-345 | 21041 | 21241 | 275-304 | 29041 |
| .043 | 1.092 | 203 | 313-343 | 21043 | 21243 | 272-300 | 29043 |
| .045 | 1.143 | 185 | 309-339 | 21045 | 21245 | 272-300 | 29045 |
| .047 | 1.194 | 170 | 309-339 | 21047 | 21247 | - | - |
| .0475 | 1.207 | 166 | - | - | - | 267-295 | 29047 |
| .049 | 1.245 | 156 | 306-336 | 21049 | 21249 | - | - |
| .050 | 1.270 | 150 | - | - | - | 267-295 | 29050 |
| .051 | 1.295 | 144 | 303-333 | 21051 | 21251 | 265-293 | 29051 |
| .055 | 1.397 | 124 | 300-330 | 21055 | 21255 | 261-289 | 29055 |
| .059 | 1.499 | 108 | 296-326 | 21059 | 21259 | 258-285 | 29059 |
| .0625 | 1.588 | 97 | - | - | - | 258-285 | 29062 |

| Diameter | | Approx. Feet Per lb. | Music Wire | | | Stainless Steel | |
|----------|-------------|----------------------------|--|------------------|--------------------|--|------------------|
| Decimal | Metric (mm) | | Tensile Strength (ksi) min.-max. | 1 lb. UPC No. | 1/4 lb. UPC No. | Tensile Strength (ksi) min.-max. | 1 lb. UPC No. |
| .063 | 1.600 | 95 | 293-323 | 21063 | 21263 | - | - |
| .067 | 1.701 | 84 | 290-320 | 21067 | 21267 | 252-281 | 29067 |
| .071 | 1.803 | 75 | 290-320 | 21071 | 21271 | - | - |
| .072 | 1.829 | 73 | - | - | - | 250-278 | 29072 |
| .075 | 1.905 | 67 | 287-317 | 21075 | 21275 | - | - |
| .078 | 1.981 | 62 | - | - | - | 246-275 | 29078 |
| .080 | 2.032 | 59 | 282-312 | 21080 | 21280 | 246-275 | 29080 |
| .085 | 2.159 | 52 | 279-308 | 21085 | 21285 | 242-271 | 29085 |
| .090 | 2.286 | 47 | 276-305 | 21090 | 21290 | 238-268 | 29090 |
| .095 | 2.413 | 42 | 274-303 | 21095 | 21295 | 238-268 | 29095 |
| .100 | 2.540 | 37 | 271-300 | 21100 | - | 232-262 | 29100 |
| .105 | 2.667 | 34 | - | - | - | 232-262 | 29105 |
| .106 | 2.692 | 33 | 270-299 | 21106 | - | - | - |
| .109 | 2.769 | 31 | - | - | - | 227-257 | 29109 |
| .112 | 2.845 | 30 | 266-294 | 21112 | - | - | - |
| .118 | 2.997 | 27 | 266-294 | 21118 | - | - | - |
| .120 | 3.048 | 26 | - | - | - | 222-263 | 29120 |
| .125 | 3.175 | 24 | 261-288 | 21125 | - | 222-263 | 29125 |
| .128 | 3.251 | 23 | - | - | - | 217-248 | 29128 |
| .130 | 3.302 | 22 | 259-286 | 21130 | - | - | - |
| .135 | 3.429 | 20 | - | - | - | 217-248 | 29135 |
| .138 | 3.505 | 19 | 258-285 | 21138 | - | - | - |
| .146 | 3.708 | 18 | 254-281 | 21146 | - | - | - |
| .148 | 3.759 | 17 | - | - | - | 210-241 | 29148 |
| .154 | 3.912 | 16 | 253-279 | 21154 | - | - | - |
| .156 | 3.962 | 15 | - | - | - | 205-235 | 29156 |
| .162 | 4.115 | 14 | 249-275 | 21162 | - | 205-235 | 29162 |
| .170 | 4.318 | 13 | 249-275 | 21170 | - | - | - |
| .177 | 4.496 | 12 | - | - | - | 198-228 | 29177 |
| .180 | 4.572 | 11 | 245-270 | 21180 | - | - | - |
| .187 | 4.750 | 10 | - | - | - | 194-225 | 29187 |

Distributed by
AJACS
1-800-968-0868

Layout Fluid



- Prevents glare with a uniform, deep color
- Allows scribing sharp, clear, precise lines
- Layout Fluid products cannot be shipped via air transportation
- Shelf life of one year
- Toluene free

Layout Fluid

| Description | Case Qty. | Dykem Case No. | PBP Case UPC No. |
|------------------------------------|-----------|----------------|------------------|
| Dykem 4 oz. Brush Cap - Steel Blue | 12 | 80300 | 50141 |
| Dykem 4 oz. Brush Cap - Steel Red | 12 | 80396 | 50241 |
| Dykem 8 oz. Brush Cap - Steel Blue | 12 | 80400 | 50181 |
| Dykem 8 oz. Brush Cap - Steel Red | 12 | 80496 | 50281 |
| Dykem 16 oz. Aerosol - Steel Blue | 12 | 80000 | 50162 |
| Dykem 16 oz. Aerosol - Steel Red | 12 | 80096 | 50262 |
| Dykem 930ml Bottle - Steel Blue | 12 | 80600 | 50182 |
| Dykem 930ml Bottle - Steel Red | 12 | 80696 | 50282 |

Layout Fluid Remover



- Prepares metal surfaces
- Does not contain toluene, chlorofluorocarbons or chlorinated solvents
- Layout Fluid Remover products cannot be shipped via air transportation
- Shelf life of one year

Layout Fluid Remover

| Description | Case Qty. | Dykem Case No. | PBP Case UPC No. |
|---|-----------|----------------|------------------|
| Dykem 16 oz. Aerosol Remover & Cleaner | 12 | 82038 | 51160 |
| Dykem 31 oz./930ml Non-Aerosol Remover, Cleaner & Thinner | 12 | 82638 | 51175 |
| Dykem Gallon Non-Aerosol Remover, Cleaner & Thinner* | 4 | 82738 | 51150 |

* Only available in the U.S.

Brite-Mark Medium Markers



- Makes permanent bright marks on metal, rubber, plastic, glass, concrete, leather, stone, wood, vinyl and more
- Valve action mechanism prevents paint in barrel from drying when cap is left off
- Drying Time: 25-35 seconds

Medium Point Paint Markers**

| Description | Case Qty. | Dykem Case No. | PBP Case UPC No. |
|-------------------------|-----------|----------------|------------------|
| Dykem Brite-Mark Blue | 12 | 84001 | 50400 |
| Dykem Brite-Mark Black | 12 | 84002 | 50405 |
| Dykem Brite-Mark White | 12 | 84003 | 50410 |
| Dykem Brite-Mark Yellow | 12 | 84004 | 50415 |
| Dykem Brite-Mark Orange | 12 | 84005 | 50420 |
| Dykem Brite-Mark Red | 12 | 84006 | 50425 |
| Dykem Brite-Mark Green | 12 | 84007 | 50430 |

** Other types and colors are available on special order.

Scrubs



Scrubs

| Description | Case Qty. | Dykem Case No. | PBP Case UPC No. |
|--|-----------|----------------|------------------|
| Dykem Scrubs in a bucket, 72 towels per bucket | 6 | 42272 | 50800 |

- One-step cleaning process
- Conditions and softens hands
- Works fast to loosen, dissolve and absorb dirt, grease and grime

Hi Spot



Hi Spot™

| Description | Case Qty. | Dykem Case No. | PBP Case UPC No. |
|---------------------------------|-----------|----------------|------------------|
| Dykem Blue Hi Spot .55 oz. Tube | 36 | 83307 | 50900 |

Distributed by
AJACS

1-800-968-6868

- Non-drying
- Shows high spots on bearings
- Transfers from one surface to another

Tool Black®



- Fast, inexpensive alternative to black oxide
- Imparts a tough, dull black protective finish to ferrous metal parts
- Ideal for prototypes, repair parts and general machine work
- The liquid solution formula is used on small immersible parts
- The Gel formula is best for larger areas or fixed vertical spaces
- One quart of TOOL BLACK® Solution covers 50 to 75 square feet, however coverage varies with application technique
- One pint of TOOL BLACK® Gel covers 20 square feet, however coverage varies with application
- Should be used at room temperature as a cold application

- PREVENT® is ozone safe
- Tool Black® products cannot be shipped via air transportation

Tool Black vs Black Oxide

| Factors | Tool Black® | Hot Oxide |
|-------------------------|-------------|-----------|
| Set-Up Time | None | Long |
| Processing Time | Short | Long |
| Application Versatility | High | Low |
| Safety | High | Low |
| Operating Costs | Low | High |
| Energy Requirements | Low | High |
| Material Distortion | Unlikely | Likely |
| Control | Complete | Limited |

Tool Black®



| Description | Case Qty. | Case UPC No. |
|---|------------|--------------|
| One Complete Tool Black® Solution Kit (contains one can/bottle of each Tool Black®, Prevent® & Cleaner-Degreaser) | 1 Kit | 45125 |
| Three Tool Black® Solution Kits | 3 Kits | 45120 |
| One qt. Tool Black® Solution | 6 Bottles | 45110 |
| 16 fl. oz. Aerosol Prevent® (11 oz. net wgt.) | 12 Cans | 45115 |
| One qt. Cleaner-Degreaser | 12 Bottles | 45105 |

Tool Black® Gel



| Description | Case Qty. | Case UPC No. |
|--|-----------|--------------|
| One Complete Tool Black® Gel Kit (contains one bottle of each Tool Black®, Pre-Clean™ and Dri-Shield™) | 1 Kit | 45325 |
| Three Tool Black® Gel Kits | 3 Kits | 45320 |
| One pint Tool Black® Gel | 6 Bottles | 45310 |
| One pint Pre-Clean™ | 6 Bottles | 45305 |
| One pint Dri-Shield™ | 6 Bottles | 45315 |

ABC Blackener™



- A cosmetic blackener for most non-ferrous metals
- ABC Blackener™ works on Aluminum, Brass and Copper
- One quart of ABC Blackener™ covers 30 to 40 square feet, however coverage varies with application technique
- No special ventilating system required
- Should be used at room temperature
- May be applied by immersion or brush-on technique
- Complete kit consists of:
 - one 1-quart bottle of ABC Blackener™
 - one 1-quart bottle of ABC Sealant™
- ABC Blackener™ products cannot be shipped via air transportation

ABC Blackener™

| Description | Case Qty. | Case UPC No. |
|---|-----------|--------------|
| One Complete ABC Blackener™ Kit (contains one quart of ABC Blackener™ and ABC Sealant™) | 1 Kit | 45900 |
| Three ABC Blackener™ Kits | 3 Kits | 45905 |
| One qt. ABC Blackener™ | 6 Bottles | 45910 |
| One qt. ABC Sealant™ | 6 Bottles | 45915 |



- PRECISION BRAND Feeler Gage is made from 1/2" wide spring steel stock, close grain C1095 high carbon steel
- Material is ground and polished to precision tolerances
- Used in manufacturing, maintenance and tool & die operations wherever setting close spacing or checking extremely tight tolerances is required
- Thicknesses are clearly etched every 6" in decimal and metric
- Feeler Gage stock is packaged in 5" or 12" flat lengths, 25 feet coils and in convenient assortments
- Also available in bulk quantities
- Other sizes or thicknesses are available on special order
- True Metric Feeler Gage is available, see page 18
- Plastic, Brass and Stainless Steel Thickness Gage is also available, see pages 19 and 20

Flat Length Feeler Gage

- 5" or 12" long x 1/2" wide
- 12" lengths are individually wrapped for protection and convenience
- Ends are rounded and edges are smooth for safety
- Each piece has a 3/16" hole at one end except for .001", .040" and .050" thicknesses

Coiled Feeler Gage

- 25 feet long x 1/2" wide
- .001" to .010" coils are conveniently packaged in dispenser boxes
- Easily cut to desired length

Steel Feeler Gage

| Thickness | | 12" Lengths (12 pcs. per box) UPC No./PBP No. | 5" Lengths (10 pcs. per box) UPC No./PBP No. | 25' Coils UPC No./PBP No. |
|-----------|-------------|---|--|------------------------------|
| Decimal | Metric (mm) | | | |
| .001 | .025 | 19120/19K1 | 19115/19R1 | 19125/19H1 |
| .0015 | .038 | 19145/19K1X | 19140/19R1X | 19150/19H1X |
| .002 | .051 | 19170/19K2 | 19165/19R2 | 19175/19H2 |
| .0025 | .064 | 19185/19K2X | — | 19190/19H2X |
| .003 | .076 | 19210/19K3 | 19205/19R3 | 19215/19H3 |
| .004 | .102 | 19235/19K4 | 19230/19R4 | 19240/19H4 |
| .005 | .127 | 19260/19K5 | 19255/19R5 | 19265/19H5 |
| .006 | .152 | 19285/19K6 | 19280/19R6 | 19290/19H6 |
| .007 | .178 | 19310/19K7 | 19305/19R7 | 19315/19H7 |
| .008 | .203 | 19335/19K8 | 19330/19R8 | 19340/19H8 |
| .009 | .229 | 19360/19K9 | 19355/19R9 | 19365/19H9 |
| .010 | .254 | 19385/19K10 | 19380/19R10 | 19390/19H10 |
| .011 | .279 | 19400/19K11 | — | 19405/19H11 |
| .012 | .305 | 19425/19K12 | 19420/19R12 | 19430/19H12 |
| .013 | .330 | 19440/19K13 | — | 19445/19H13 |
| .014 | .356 | 19465/19K14 | 19460/19R14 | 19470/19H14 |
| .015 | .381 | 19490/19K15 | 19485/19R15 | 19495/19H15 |
| .016 | .406 | 19515/19K16 | 19510/19R16 | 19520/19H16 |
| .017 | .432 | 19530/19K17 | — | 19535/19H17 |
| .018 | .457 | 19555/19K18 | 19550/19R18 | 19560/19H18 |
| .019 | .483 | 19570/19K19 | — | 19575/19H19 |
| .020 | .508 | 19595/19K20 | 19590/19R20 | 19600/19H20 |
| .021 | .533 | 19610/19K21 | — | 19615/19H21 |
| .022 | .559 | 19635/19K22 | 19630/19R22 | 19640/19H22 |
| .023 | .584 | 19650/19K23 | — | 19655/19H23 |
| .024 | .610 | 19675/19K24 | 19670/19R24 | 19680/19H24 |
| .025 | .635 | 19700/19K25 | 19695/19R25 | 19705/19H25 |
| .028 | .711 | 19715/19K28 | — | 19720/19H28 |
| .030 | .762 | 19730/19K30 | — | 19735/19H30 |
| .031 | .787 | 19745/19K31 | — | 19750/19H31 |
| .032 | .813 | 19760/19K32 | — | 19765/19H32 |
| .034 | .864 | 19775/19K34 | — | 19780/19H34 |
| .040 | 1.016 | 19790/19K40 | — | — |
| .050 | 1.270 | 19805*/19K50 | — | — |

* Package of 6 pieces only.



Steel Feeler Gage Assortments

- Contains twenty 1/2" wide blades
- Packaged in a sturdy, vinyl case
- Individual blade pockets
- Conveniently folds flat
- Each blade is clearly etched with size in metric and decimal
- Ends are rounded and edges are smooth for safety
- Vinyl case helps prevent rust and extends blade life
- Stainless Steel, Brass and Plastic assortments also available, see pages 19 and 20.



**Poc-Kit® Assortment
5" Long Blades**

UPC No. 19740/PBP No. 19G20
Contains 20 Thicknesses:

| | | |
|---------------|--------------|--------------|
| .001"/.025mm | .007"/.178mm | .016"/.406mm |
| .0015"/.038mm | .008"/.203mm | .018"/.457mm |
| .002"/.051mm | .009"/.229mm | .020"/.508mm |
| .003"/.076mm | .010"/.254mm | .022"/.559mm |
| .004"/.102mm | .012"/.305mm | .024"/.610mm |
| .005"/.127mm | .014"/.356mm | .025"/.635mm |
| .006"/.152mm | .015"/.381mm | |



**"The Big" Poc-Kit®
Assortment 12" Long Blades**

UPC No. 19990/PBP No. 19G40
Contains 20 Thicknesses:

| | | |
|---------------|--------------|--------------|
| .001"/.025mm | .007"/.178mm | .016"/.406mm |
| .0015"/.038mm | .008"/.203mm | .018"/.457mm |
| .002"/.051mm | .009"/.229mm | .020"/.508mm |
| .003"/.076mm | .010"/.254mm | .022"/.559mm |
| .004"/.102mm | .012"/.305mm | .025"/.635mm |
| .005"/.127mm | .014"/.356mm | .030"/.762mm |
| .006"/.152mm | .015"/.381mm | |



**Fan Blade
Assortment**

UPC No. 19821

- Contains twenty-five 3" long by 1/2" wide blades
- Heavy-duty swivel holder
- Rounded ends for safety
- Sizes etched on each blade
- Packaged in chipboard box
- Contents: .0015", .002", .003", .004", .005", .006", .007", .008", .009", .010", .011", .012", .013", .014", .015", .016", .018", .020", .022", .024", .025", .028", .030", .032", .035"

Metric (Steel) Feeler Gage Assortment



- PRECISION BRAND brings you "true" metric feeler gage in a convenient assortment
- Made of C1095 close grain, high carbon spring steel
- Assortment contains twenty 12.7mm (1/2") wide x 127mm (5") long blades
- Each blade is clearly etched with thickness
- Packaged in a sturdy vinyl case with individual blade pockets
- Assortment conveniently folds flat
- Ends are rounded and edges are smooth for safety
- Individual blade thicknesses and coil stock also available on special order

**Metric (Steel) Poc-Kit®
Assortment**

UPC No. 09740

Contains 20 Thicknesses:

| | | |
|-------|-------|--------|
| .05mm | .40mm | .75mm |
| .10mm | .45mm | .80mm |
| .15mm | .50mm | .85mm |
| .20mm | .55mm | .90mm |
| .25mm | .60mm | .95mm |
| .30mm | .65mm | 1.00mm |
| .35mm | .70mm | |

Plastic Thickness Gage Assortments



- Contains thirteen blades riveted together for on-site convenience
- Made of the highest quality plastic material
.001" to .005" - Polyester
.0075" to .030" - Vinyl
- 1/2" wide blades are available in 5" & 12" lengths
- Color indicates thickness
- Packaged in a sturdy vinyl case
- Non-corrosive, non-conductive, non-sparking and non-marring
- Individual blades also available on special order

Plastic Thickness Gage Fan Blade Assortments

| Description | UPC No. |
|--|---------------------|
| 5" Fan Blade Set | 78905 |
| 12" Fan Blade Set | 78900 |
| Each assortment contains 13 Thicknesses: Decimal/Metric/Color | |
| .001"/.025mm/Amber | .010"/.254mm/Brown |
| .0015"/.038mm/Purple | .0125"/.318mm/Black |
| .002"/.051mm/Red | .015"/.381mm/Pink |
| .003"/.076mm/Green | .020"/.508mm/Yellow |
| .004"/.102mm/Tan | .025"/.635mm/White |
| .005"/.127mm/Blue | .030"/.762mm/Coral |
| .0075"/.191mm/Matte | |

Stainless Steel Thickness Gage

- PRECISION BRAND Stainless Steel Thickness Gage is made from 1/2" wide 300 series stainless steel
- Used in manufacturing or maintenance of a technical nature where stringent, corrosion resistant and low magnetism material is needed to check extremely tight tolerances or close spacing
- Material is a good conductor and will withstand high temperatures
- Industries which use this product are aircraft, power/utility, food, automotive and marine
- .001" to .031" blades have size etched on the material; .0005" blades have size marked on blade package
- Bulk material also available
- Other thicknesses available on special order

Stainless Steel Thickness Gage

| Thickness | | 12" Lengths UPC No. (12 pcs. per pkg.) | 5" Lengths UPC No. (10 pcs. per pkg.) | 25' Coils UPC No. |
|-----------|-------------|--|---|----------------------|
| Decimal | Metric (mm) | | | |
| .0005 | .013 | 77140 | - | 77105 |
| .001 | .025 | 77120 | 77115 | 77125 |
| .0015 | .038 | 77145 | 77140 | 77130 |
| .002 | .051 | 77170 | 77165 | 77150 |
| .003 | .076 | 77210 | 77205 | 77155 |
| .004 | .102 | 77235 | 77230 | 77175 |
| .005 | .127 | 77260 | 77255 | 77180 |
| .006 | .152 | 77285 | 77280 | 77185 |
| .007 | .178 | 77310 | 77305 | 77190 |
| .008 | .203 | 77335 | 77330 | 77195 |
| .009 | .229 | 77360 | 77355 | 77215 |
| .010 | .254 | 77385 | 77380 | 77220 |
| .012 | .305 | 77425 | 77420 | 77240 |
| .015 | .381 | 77490 | 77485 | 77245 |
| .020 | .508 | 77595 | 77590 | 77265 |
| .025 | .635 | 77770 | 77695 | 77270 |
| .031 | .787 | 77730 | 77731 | 77290 |

Stainless Steel Poc-Kit® Assortment



- PRECISION BRAND Stainless Steel Thickness Gage is made from 1/2" wide 300 series stainless steel
- Contains twenty 5" long x 1/2" wide blades
- Contains sixteen different thicknesses; duplicate blades have been included on the four most commonly used thicknesses
- Packaged in a sturdy, vinyl case which extends blade life
- Individual blade pockets
- Conveniently folds flat
- Each blade is clearly etched with size in metric and decimal
- Ends are rounded and edges are smooth for safety

Stainless Steel Poc-Kit® Assortment

| UPC No. 77750 | |
|------------------------------------|--------------|
| Contains 16 Thicknesses/20 Pieces: | |
| 2 pcs. - .001"/.025mm | .008"/.203mm |
| 2 pcs. - .0015"/.038mm | .009"/.229mm |
| 2 pcs. - .002"/.051mm | .010"/.254mm |
| 2 pcs. - .003"/.076mm | .012"/.305mm |
| .004"/.102mm | .015"/.381mm |
| .005"/.127mm | .020"/.508mm |
| .006"/.152mm | .025"/.635mm |
| .007"/.178mm | .031"/.787mm |

Brass Thickness Gage



- PRECISION BRAND Brass Thickness Gage is made from 1/2" wide 260 alloy
- Used in manufacturing and maintenance of highly technical markets where nonmagnetic, and non-corrosive product would be needed to check extremely close spacing
- When inserted, material should not cause a spark
- Ideal industries: computer, mining & electronics
- Blades have size etched every 6" in decimal and metric
- Bulk material also available
- Other thicknesses available on special order

Brass Thickness Gage

| Thickness | | 12" Lengths UPC No. | 5" Lengths UPC No. |
|-----------|-------------|------------------------|-----------------------|
| Decimal | Metric (mm) | (12 pcs. per pkg.) | (10 pcs. per pkg.) |
| .001 | .025 | 76120 | 76115 |
| .0015 | .038 | 76145 | 76140 |
| .002 | .051 | 76170 | 76165 |
| .003 | .076 | 76210 | 76205 |
| .004 | .102 | 76235 | 76230 |
| .005 | .127 | 76260 | 76255 |
| .006 | .152 | 76285 | 76280 |
| .007 | .178 | 76310 | 76305 |
| .008 | .203 | 76335 | 76330 |
| .009 | .229 | 76360 | 76355 |
| .010 | .254 | 76385 | 76380 |
| .012 | .305 | 76425 | 76420 |
| .014 | .356 | 76465 | 76460 |
| .015 | .381 | 76490 | 76485 |
| .016 | .406 | 76515 | 76510 |
| .018 | .457 | 76555 | 76550 |
| .020 | .508 | 76595 | 76590 |
| .022 | .559 | 76635 | 76630 |
| .024 | .610 | 76675 | - |
| .025 | .635 | 76700 | 76695 |
| .030 | .762 | 76730 | 76731 |
| .032 | .813 | 76760 | - |

Distributed by
AJACS

Brass Poc-Kit® Assortment

1-800-968-6868



- PRECISION BRAND Brass Thickness Gage is made from 1/2" wide 260 alloy
- Contains twenty 5" long x 1/2" wide blades
- Packaged in a sturdy, vinyl case which extends blade life
- Individual blade pockets
- Conveniently folds flat
- Each blade is clearly etched with size in metric and decimal
- Ends are rounded and edges are smooth for safety

Brass Poc-Kit® Assortment

UPC No. 76740

Contains 20 Thicknesses:

| | | |
|---------------|--------------|--------------|
| .001"/.025mm | .007"/.178mm | .016"/.406mm |
| .0015"/.038mm | .008"/.203mm | .018"/.457mm |
| .002"/.051mm | .009"/.229mm | .020"/.508mm |
| .003"/.076mm | .010"/.254mm | .022"/.559mm |
| .004"/.102mm | .012"/.305mm | .025"/.635mm |
| .005"/.127mm | .014"/.356mm | .030"/.762mm |
| .006"/.152mm | .015"/.381mm | |



- PRECISION BRAND Steel Shim Stock is a full hard, cold rolled, low carbon 1008-1010



Steel Shim Roll Assortment

| Contents | 6" x 50" | |
|--|---------------------|-------------|
| | UPC No./ PBP No. | Lb. Wgt. |
| 4 Rolls Per Package (Includes one roll of each: .001", .002", .003" & .005") | 16690/16B4 | .94 |

Steel Shim Rolls

| Thickness | 6" x 100" | | 6" x 180" | | 12" x 120" | | |
|-----------|-----------|---------------------|---------------------|----------------------|---------------------|---------------------|-------|
| | Decimal | Metric (mm) | UPC No./ PBP No. | Lb. Wgt. | UPC No./ PBP No. | Lb. Wgt. | |
| .001 | .025 | 16130/16A1 | .25 | 16700/16AJ1 | .40 | 16140/16AA1 | .87 |
| .0015 | .038 | 16155/16A1X | .26 | 16705/16AJ1X | .54 | 16165/16AA1X | .94 |
| .002 | .051 | 16195/16A2 | .42 | 16740/16AJ2 | .68 | 16205/16AA2 | 1.09 |
| .0025 | .064 | 16215/16A2X | .43 | 16745/16AJ2X | .77 | – | – |
| .003 | .076 | 16245/16A3 | .58 | 16765/16AJ3 | 1.03 | 16255/16AA3 | 1.48 |
| .0035 | .089 | 16265/16A3X | .60 | 16770/16AJ3X | 1.07 | – | – |
| .004 | .102 | 16280/16A4 | .72 | 16780/16AJ4 | 1.31 | 16290/16AA4 | 1.90 |
| .005 | .127 | 16320/16A5 | .96 | 16785/16AJ5 | 1.66 | 16330/16AA5 | 2.28 |
| .006 | .152 | 16345/16A6 | 1.14 | 16790/16AJ6 | 1.96 | 16355/16AA6 | 2.72 |
| .007 | .178 | 16370/16A7 | 1.31 | 16795/16AJ7 | 2.03 | 16380/16AA7 | 3.05 |
| .008 | .203 | 16395/16A8 | 1.52 | 16800/16AJ8 | 2.73 | 16405/16AA8 | 3.63 |
| .009 | .229 | 16415/16A9 | 1.66 | 16805/16AJ9 | 3.02 | 16425/16AA9 | 4.15 |
| .010 | .254 | 16450/16A10 | 1.83 | 16710/16AJ10 | 3.31 | 16460/16AA10 | 4.64 |
| .012 | .305 | 16480/16A12 | 2.24 | 16715/16AJ12 | 4.07 | 16490/16AA12 | 5.35 |
| .0135 | .343 | 16500/16A13X | 2.30 | 16720/16AJ13X | 4.13 | – | – |
| .015 | .381 | 16530/16A15 | 2.76 | 16725/16AJ15 | 5.03 | 16540/16AA15 | 6.69 |
| .0165 | .419 | 16550/16A16X | 3.19 | 16730/16AJ16X | 5.05 | – | – |
| .018 | .457 | 16560/16A18 | 3.63 | 16735/16AJ18 | 5.51 | 16570/16AA18 | 8.58 |
| .020 | .508 | 16590/16A20 | 3.85 | 16750/16AJ20 | 6.54 | 16600/16AA20 | 9.28 |
| .022 | .559 | 16610/16A22 | 3.94 | 16755/16AJ22 | 7.17 | – | – |
| .025 | .635 | 16630/16A25 | 5.04 | 16760/16AJ25 | 8.41 | 16640/16AA25 | 11.25 |
| .031 | .787 | 16660/16A31 | 6.58 | 16775/16AJ31 | 10.33 | 16670/16AA31 | 13.58 |

Steel Shim Sheets*

| 6" x 18" 10 Sheets Per Pkg. | | 6" x 25" 2 Sheets Per Pkg. | |
|--------------------------------|-------------|-------------------------------|-------------|
| UPC No./ PBP No. | Lb. Wgt. | UPC No./ PBP No. | Lb. Wgt. |
| 16810/16AN1 | .63 | | |
| 16815/16AN1X | .75 | | |
| 16820/16AN2 | .99 | | |
| 16825/16AN2X | 1.18 | | |
| 16830/16AN3 | 1.25 | | |
| 16835/16AN3X | 1.37 | Available | |
| 16840/16AN4 | 1.50 | as a | |
| 16845/16AN5 | 1.63 | special | |
| 16850/16AN6 | 2.13 | order | |
| 16855/16AN7 | 2.45 | | |
| 16860/16AN8 | 2.75 | | |
| 16865/16AN9 | 2.99 | | |
| 16870/16AN10 | 3.38 | | |
| 16875/16AN12 | 3.93 | 16475/16AY12 | 1.45 |
| 16880/16AN13X | 4.13 | – | – |
| 16885/16AN15 | 4.93 | 16525/16AY15 | 1.73 |
| 16890/16AN16X | 5.05 | – | – |
| 16895/16AN18 | 5.93 | – | – |
| 16900/16AN20 | 6.50 | 16585/16AY20 | 2.15 |
| 16905/16AN22 | 6.73 | – | – |
| 16910/16AN25 | 8.00 | 16625/16AY25 | 2.58 |
| 16915/16AN31 | 9.93 | 16655/16AY31 | 3.09 |

* Other dimensions available as a special order.

Steel Shim Sheet Assortments

| Contents | 6" x 12" | | 6" x 18" | | 12" x 24" | |
|--|---------------------|-------------|---------------------|-------------|----------------------|-------------|
| | UPC No./ PBP No. | Lb. Wgt. | UPC No./ PBP No. | Lb. Wgt. | UPC No./ PBP No. | Lb. Wgt. |
| 12 Sheets Per Package (Includes one sheet of each: .001", .0015", .002", .003", .004", .005", .006", .007", .008", .010", .012" & .015") | 16680/16AF12 | 1.74 | 16950/16AZ12 | 2.28 | – | – |
| 15 Sheets Per Package (Includes one sheet of each: .001", .0015", .002", .003", .004", .005", .006", .007", .008", .010", .012", .015", .020", .025" & .031") | 16685/16AF15 | 3.29 | 16955/16AZ15 | 4.61 | 16960/16AAZ15 | 12.28 |

Steel Metric Shim Rolls

| 150 millimeters x 2.5 meters | | |
|------------------------------|--------------|-------------|
| Millimeter Thickness | UPC No. | Lb. Wgt. |
| .05 | 16971 | .42 |
| .10 | 16972 | .72 |
| .15 | 16973 | 1.14 |
| .20 | 16974 | 1.52 |
| .25 | 16975 | 1.83 |
| .30 | 16976 | 2.24 |
| .40 | 16977 | 2.76 |
| .50 | 16978 | 3.85 |
| .65 | 16979 | 5.04 |
| .80 | 16980 | 6.58 |

Brass Shim Stock



- PRECISION BRAND Brass Shim Stock is a half hard, cold rolled, 260 alloy



Brass Shim Roll Assortment

| Contents | 6" x 50" | |
|--|------------------|----------|
| | UPC No./ PBP No. | Lb. Wgt. |
| 4 Rolls Per Package (Includes one roll of each: .001", .002", .003" & .005") | 17560/17T4 | 1.36 |

Brass Shim Rolls

Brass Shim Sheets*

| Thickness | 6" x 60" | | 6" x 100" | | 6" x 180" | | 12" x 120" | | 6" x 18" | | 6" x 25" | |
|-----------|----------|--------------|------------------|-------------|------------------|--------------|------------------|--------------|------------------|--------------|------------------|---|
| | Deci-mal | Metric (mm) | UPC No./ PBP No. | Lb. Wgt. | UPC No./ PBP No. | Lb. Wgt. | UPC No./ PBP No. | Lb. Wgt. | UPC No./ PBP No. | Lb. Wgt. | UPC No./ PBP No. | Lb. Wgt. |
| .001 | .025 | 17605/17SX1 | .11 | 17135/17S1 | .29 | 17700/17SJ1 | .45 | 17145/17SS1 | .90 | 17810/17SN1 | .63 | ↑ Available as a special order ↓ |
| .0015 | .038 | 17610/17SX1X | .14 | 17160/17S1X | .38 | 17705/17SJ1X | .58 | - | - | 17815/17SN1X | .78 | |
| .002 | .051 | 17615/17SX2 | .22 | 17195/17S2 | .46 | 17725/17SJ2 | .75 | 17205/17SS2 | 1.18 | 17820/17SN2 | 1.13 | |
| .003 | .076 | 17620/17SX3 | .33 | 17240/17S3 | .64 | 17740/17SJ3 | 1.13 | 17250/17SS3 | 1.56 | 17830/17SN3 | 1.23 | |
| .004 | .102 | 17625/17SX4 | .44 | 17265/17S4 | .82 | 17750/17SJ4 | 1.42 | 17275/17SS4 | 2.05 | 17840/17SN4 | 1.94 | |
| .005 | .127 | 17630/17SX5 | .55 | 17305/17S5 | 1.03 | 17755/17SJ5 | 1.77 | 17315/17SS5 | 2.46 | 17845/17SN5 | 2.00 | |
| .006 | .152 | 17635/17SX6 | .66 | 17330/17S6 | 1.21 | 17760/17SJ6 | 2.09 | 17340/17SS6 | 2.90 | 17850/17SN6 | 2.25 | |
| .007 | .178 | 17640/17SX7 | .77 | 17355/17S7 | 1.45 | 17765/17SJ7 | 2.52 | - | - | 17855/17SN7 | 2.63 | |
| .008 | .203 | 17645/17SX8 | .88 | 17370/17S8 | 1.57 | 17770/17SJ8 | 2.89 | 17380/17SS8 | 3.93 | 17860/17SN8 | 2.91 | |
| .009 | .229 | 17650/17SX9 | .99 | 17390/17S9 | 1.78 | 17775/17SJ9 | 3.25 | - | - | 17865/17SN9 | 2.98 | |
| .010 | .254 | 17655/17SX10 | 1.10 | 17415/17S10 | 1.96 | 17710/17SJ10 | 3.31 | 17425/17SS10 | 4.85 | 17870/17SN10 | 3.63 | 17440/17SY12 1.54 17470/17SY15 1.84 17490/17SY20 2.26 17510/17SY25 2.75 17530/17SY31 3.26 |
| .012 | .305 | 17660/17SX12 | 1.32 | 17445/17S12 | 2.44 | 17715/17SJ12 | 3.97 | 17426/17SS12 | 5.80 | 17875/17SN12 | 4.25 | |
| .015 | .381 | 17665/17SX15 | 1.65 | 17475/17S15 | 3.08 | 17720/17SJ15 | 5.50 | 17427/17SS15 | 7.08 | 17885/17SN15 | 5.44 | |
| .018 | .457 | - | - | 17477/17S18 | 3.60 | - | - | - | - | - | - | |
| .020 | .508 | 17670/17SX20 | 2.20 | 17495/17S20 | 3.67 | 17730/17SJ20 | 7.14 | 17428/17SS20 | 9.83 | 17900/17SN20 | 7.00 | |
| .025 | .635 | 17675/17SX25 | 2.75 | 17515/17S25 | 5.08 | 17735/17SJ25 | 8.81 | - | - | 17910/17SN25 | 8.69 | |
| .031 | .787 | 17680/17SX31 | 3.42 | 17535/17S31 | 6.13 | 17745/17SJ31 | 10.74 | - | - | 17915/17SN31 | 10.63 | |

* Other dimensions available as a special order.

Brass Shim Sheet Assortments

Brass Metric Shim Rolls

| Contents | 6" x 12" | | 6" x 18" | | 150 millimeters x 2.5 meters | | |
|---|------------------|----------|------------------|----------|------------------------------|---------|----------|
| | UPC No./ PBP No. | Lb. Wgt. | UPC No./ PBP No. | Lb. Wgt. | Millimeter Thickness | UPC No. | Lb. Wgt. |
| 12 Sheets Per Package (Includes one sheet of each: .001", .0015", .002", .003", .004", .005", .006", .007", .008", .010", .012" & .015") | 17545/17SF12 | 1.86 | 17950/17SZ12 | 2.76 | .05 | 17971 | .46 |
| 15 Sheets Per Package (Includes one sheet of each: .001", .0015", .002", .003", .004", .005", .006", .007", .008", .010", .012", .015", .020", .025" & .031") | 17550/17SF15 | 3.32 | 17955/17SZ15 | 5.31 | .10 | 17972 | .82 |
| | | | | | .15 | 17973 | 1.21 |
| | | | | | .20 | 17974 | 1.57 |
| | | | | | .25 | 17975 | 1.96 |
| | | | | | .30 | 17976 | 2.44 |
| | | | | | .40 | 17977 | 3.08 |
| | | | | | .50 | 17978 | 3.67 |
| | | | | | .65 | 17979 | 5.08 |
| .80 | 17980 | 6.13 | | | | | |

Stainless Steel Shim Stock



- PRECISION BRAND Stainless Steel Shim Stock is a full hard, cold rolled, 300 series stainless steel

Branded™ Shim

Stainless Steel Shim Rolls

| Thickness | | 6" x 50" | | 6" x 60" | | 12" x 50" | |
|-----------|-------------|------------------|----------|------------------|----------|------------------|----------|
| Decimal | Metric (mm) | UPC No./ PBP No. | Lb. Wgt. | UPC No./ PBP No. | Lb. Wgt. | UPC No./ PBP No. | Lb. Wgt. |
| .0005 | .013 | 22110/22LX | .17 | 22138/22LXX | .21 | - | - |
| .001 | .025 | 22125/22L1 | .21 | 22139/22LX1 | .23 | 22135/22LL1 | .60 |
| .0015 | .038 | 22126/22L1X | .23 | 22141/22LX1X | .26 | - | - |
| .002 | .051 | 22150/22L2 | .25 | 22146/22LX2 | .30 | 22160/22LL2 | .62 |
| .003 | .076 | 22175/22L3 | .34 | 22149/22LX3 | .41 | 22185/22LL3 | .78 |
| .004 | .102 | 22195/22L4 | .43 | 22152/22LX4 | .55 | 22205/22LL4 | .95 |
| .005 | .127 | 22220/22L5 | .56 | 22153/22LX5 | .66 | 22230/22LL5 | 1.11 |
| .006 | .152 | 22240/22L6 | .63 | 22154/22LX6 | .74 | 22250/22LL6 | 1.26 |
| .007 | .178 | 22260/22L7 | .73 | 22156/22LX7 | .85 | 22270/22LL7 | 1.46 |
| .008 | .203 | 22285/22L8 | .80 | 22157/22LX8 | .95 | 22295/22LL8 | 1.78 |
| .009 | .229 | 22305/22L9 | .90 | 22158/22LX9 | 1.07 | - | - |
| .010 | .254 | 22320/22L10 | .98 | 22142/22LX10 | 1.15 | 22330/22LL10 | 2.14 |
| .012 | .305 | 22340/22L12 | 1.24 | 22143/22LX12 | 1.44 | 22350/22LL12 | 2.46 |
| .015 | .381 | 22365/22L15 | 1.53 | 22144/22LX15 | 1.71 | 22375/22LL15 | 3.01 |
| .020 | .508 | 22390/22L20 | 2.20 | 22147/22LX20 | 2.16 | 22400/22LL20 | 4.45 |
| .025 | .635 | 22410/22L25 | 2.74 | 22148/22LX25 | 3.03 | - | - |
| .031 | .787 | 22430/22L31 | 3.18 | 22151/22LX31 | 3.59 | - | - |

Stainless Metric Shim Rolls

150 millimeters x 1.25 meters

| Millimeter Thickness | UPC No. | Lb. Wgt. |
|----------------------|---------|----------|
| .05 | 22971 | .25 |
| .10 | 22972 | .43 |
| .15 | 22973 | .63 |
| .20 | 22974 | .80 |
| .25 | 22975 | .98 |
| .30 | 22976 | 1.24 |
| .40 | 22977 | 1.53 |
| .50 | 22978 | 2.20 |
| .65 | 22979 | 2.74 |
| .80 | 22980 | 3.18 |

6" Wide Stainless Sheets

6" x 25"

2 Sheets Per Pkg.

| Thickness | | UPC No./ PBP No. | Lb. Wgt. |
|-----------|-------------|------------------|----------|
| Decimal | Metric (mm) | | |
| .008 | .203 | 22520/22LY8 | 1.11 |
| .010 | .254 | 22550/22LY10 | 1.31 |
| .012 | .305 | 22560/22LY12 | 1.58 |
| .015 | .381 | 22570/22LY15 | 1.68 |
| .020 | .508 | 22580/22LY20 | 2.20 |
| .025 | .635 | 22590/22LY25 | 2.68 |
| .031 | .787 | 22600/22LY31 | 3.18 |

12" Wide Stainless Sheets

12" x 24"

2 Sheets Per Pkg.

| Thickness | | UPC No. | Lb. Wgt. |
|-----------|-------------|---------|----------|
| Decimal | Metric (mm) | | |
| .025 | .635 | 22992 | 4.93 |
| .031 | .787 | 22993 | 5.92 |

Stainless Steel Assortments

| Contents | 6" x 12" | | Contents | 150 mm x 300 mm | |
|--|------------------|----------|--|-----------------|----------|
| | UPC No./ PBP No. | Lb. Wgt. | | UPC No. | Lb. Wgt. |
| 8 Sheets Per Package (Includes one sheet of each: .001", .002", .003", .005", .008", .010", .015" & .020") | 22445/22LF8 | 1.54 | 8 Sheets Per Package (Includes one sheet of each: .05mm, .10mm, .15mm, .20mm, .25mm, .30mm, .40mm & .50mm) | 22999 | 1.70 |

Blue Tempered Shim Stock



- PRECISION BRAND Blue Tempered Shim Stock is a high carbon 1095 hardened and tempered spring steel

50" Blue Tempered Shim Rolls

| Thickness | | Width | UPC No./ PBP No. | Lb. Wgt. |
|-----------|-------------|-------|---------------------|-------------|
| Decimal | Metric (mm) | | | |
| .002 | .051 | 3" | 23110/23C2 | .18 |
| .003 | .076 | 3" | 23120/23C3 | .22 |
| .004 | .102 | 5" | 23130/23C4 | .40 |
| .005 | .127 | 6" | 23145/23C5 | .54 |
| .006 | .152 | 6" | 23155/23C6 | .63 |
| .007 | .178 | 6" | 23165/23C7 | .74 |

Blue Tempered Assortment

| Contents | 6" x 12" | |
|---|---------------------|-------------|
| | UPC No./ PBP No. | Lb. Wgt. |
| 6 Sheets Per Package (Includes one sheet of each: .005", .010", .015", .020", .025" & .032") | 23290/ 23CR6 | 2.40 |

Blue Tempered Sheets

| Thickness | | 6" x 25" 2 Sheets Per Pkg. | |
|-----------|-------------|-------------------------------|-------------|
| Decimal | Metric (mm) | UPC No./ PBP No. | Lb. Wgt. |
| .008 | .203 | 23170/23CY8 | 1.10 |
| .010 | .254 | 23180/23CY10 | 1.30 |
| .012 | .305 | 23200/23CY12 | 1.50 |
| .015 | .381 | 23220/23CY15 | 1.70 |
| .020 | .508 | 23240/23CY20 | 2.10 |
| .025 | .635 | 23260/23CY25 | 2.60 |
| .032 | .813 | 23280/23CY32 | 3.20 |



Aluminum Shim Stock



- PRECISION BRAND Aluminum Shim Stock is made from a H-18 full hard, tempered aluminum

6" x 100" Aluminum Shim

| Thickness | | UPC No. | Lb. Wgt. |
|-----------|-------------|---------|-------------|
| Decimal | Metric (mm) | | |
| .001 | .025 | 69130 | .18 |
| .002 | .051 | 69195 | .24 |
| .003 | .076 | 69245 | .30 |
| .004 | .102 | 69280 | .36 |
| .005 | .127 | 69320 | .47 |
| .006 | .152 | 69345 | .53 |
| .008 | .203 | 69395 | .65 |
| .010 | .254 | 69450 | .77 |

Copper Shim Stock

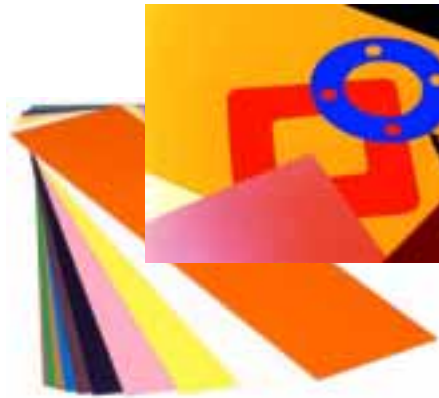


- PRECISION BRAND Copper Shim Stock is made from 110 annealed copper

6" x 100" Copper Shim

| Thickness | | UPC No. | Lb. Wgt. |
|-----------|-------------|---------|-------------|
| Decimal | Metric (mm) | | |
| .001 | .025 | 68130 | .31 |
| .002 | .051 | 68195 | .50 |
| .003 | .076 | 68245 | .68 |
| .004 | .102 | 68280 | .86 |
| .005 | .127 | 68320 | 1.05 |
| .006 | .152 | 68345 | 1.23 |
| .007 | .178 | 68370 | 1.42 |
| .008 | .203 | 68395 | 1.60 |
| .010 | .254 | 68450 | 1.97 |

Color Coded Shim (Plastic Material)



- PRECISION BRAND Color Coded Shim is made from a high quality plastic material
- Eliminates need for micrometer, saves time and reduces error
- Used for gaskets, special parts and various manufacturing applications
- Easy to cut
- Resists oil
- Minimal compression during use
- Non-conductive to electricity
- Thickness indicated by shim color
- For pre-cut Plastic Slotted Shim used in light duty alignments, see page 28
- For Plastic Arbor Shims, see page 32

Color Coded Shim Flat Sheets

| Thickness | | Color | Material | 5" x 20" UPC No. | 10" x 20" UPC No. | 20" x 20" UPC No. | 25" x 50" UPC No. |
|-----------|-------------|--------|-----------|---------------------|----------------------|----------------------|----------------------|
| Decimal | Metric (mm) | | | | | | |
| .0005 | .013 | Silver | Polyester | 44105 | 44205 | 44305 | 44405 |
| .001 | .025 | Amber | Polyester | 44110 | 44210 | 44310 | 44410 |
| .0015 | .038 | Purple | Polyester | 44115 | 44215 | 44315 | 44415 |
| .002 | .051 | Red | Polyester | 44120 | 44220 | 44320 | 44420 |
| .003 | .076 | Green | Polyester | 44125 | 44225 | 44325 | 44425 |
| .004 | .102 | Tan | Polyester | 44130 | 44230 | 44330 | 44430 |
| .005 | .127 | Blue | Polyester | 44135 | 44235 | 44335 | 44435 |
| .0075 | .191 | Matte | Vinyl | 44140 | 44240 | 44340 | 44440 |
| .010 | .254 | Brown | Vinyl | 44145 | 44245 | 44345 | 44445 |
| .0125 | .318 | Black | Vinyl | 44150 | 44250 | 44350 | 44450 |
| .015 | .381 | Pink | Vinyl | 44155 | 44255 | 44355 | 44455 |
| .020 | .508 | Yellow | Vinyl | 44160 | 44260 | 44360 | 44460 |
| .025 | .635 | White | Vinyl | 44165 | 44265 | 44365 | 44465 |
| .030 | .762 | Coral | Vinyl | 44170 | 44270 | 44370 | 44470 |
| .040 | 1.016 | Clear | Vinyl | 44175 | 44275 | 44375 | 44475* |
| .050 | 1.270 | Clear | Vinyl | 44180 | 44280 | 44380 | 44480* |
| .060 | 1.524 | Clear | Vinyl | 44185 | 44285 | 44385 | 44485* |

Color Coded Shim Precision Pak®

| Thickness | | Pkg. Qty. | 5" x 20" UPC No. | 10" x 20" UPC No. |
|-----------|-------------|-----------|---------------------|----------------------|
| Decimal | Metric (mm) | | | |
| .0005 | .013 | 5 ea. | 44505 | 44605 |
| .001 | .025 | 5 ea. | 44510 | 44610 |
| .0015 | .038 | 5 ea. | 44515 | 44615 |
| .002 | .051 | 5 ea. | 44520 | 44620 |
| .003 | .076 | 5 ea. | 44525 | 44625 |
| .004 | .102 | 10 ea. | 44530 | 44630 |
| .005 | .127 | 10 ea. | 44535 | 44635 |
| .0075 | .191 | 10 ea. | 44540 | 44640 |
| .010 | .254 | 10 ea. | 44545 | 44645 |
| .0125 | .318 | 10 ea. | 44550 | 44650 |
| .015 | .381 | 10 ea. | 44555 | 44655 |
| .020 | .508 | 10 ea. | 44560 | 44660 |
| .025 | .635 | 10 ea. | 44565 | 44665 |
| .030 | .762 | 10 ea. | 44570 | 44670 |
| .040 | 1.016 | 3 ea. | 44575 | 44675 |
| .050 | 1.270 | 3 ea. | 44580 | 44680 |
| .060 | 1.524 | 3 ea. | 44585 | 44685 |

* .040 to .060 are 21" x 51" sheets.

Color Coded Shim Assortments

| 5" x 20" UPC No. | 10" x 20" UPC No. | 20" x 20" UPC No. |
|---------------------|----------------------|----------------------|
| 44905 | 44910 | 44915 |

Each assortment contains 1 each of the following thicknesses: .0005", .001", .0015", .002", .003", .004", .005", .0075", .010", .0125", .015", .020", .025" & .030".

CONDITIONS: Determination of the suitability of the material to the use contemplated is the user's responsibility. Users assume all risk resulting from the use of these products and must confirm adaptability thereof by their own tests.

Color Coded Shim Typical Properties

| | .0005 - .005 | .0075 - .030 | .040 - .060 |
|-----------------------------|----------------|----------------|----------------|
| Decimal Thickness | .0005 - .005 | .0075 - .030 | .040 - .060 |
| Tensile Strength, p.s.i. | 30,000 | 6,600 | 14,000 |
| Ultimate Elongation | 90% | 180% | 180% |
| Folding Endurance (MIT) | >100,000 | 37,000 | 37,000 |
| Tear Strength (Elmendorf) | 20 g/mil | - | - |
| Moisture Absorption | .08% | .15% | .15% |
| Thickness Tolerance | +/-5% | +/-5% | +/-5% |
| Military Specification | LP-377 | LP-535 | LP-535 |
| Compression at 5,000 p.s.i. | 1.0% | .7% | .7% |
| Service Temperature | -90°F to 300°F | -10°F to 155°F | -10°F to 155°F |

Slotted Shim 300 Series Stainless Steel, U.S. Patent # 4,809,421



Decimal Slotted Shim Slot Sizes

| Size A 2" x 2" | Size B 3" x 3" | Size C 4" x 4" | Size D 5" x 5" | Size E 6" x 6" | Size H 8" x 8" |
|-------------------|-------------------|-------------------|-------------------|-------------------|-------------------|
| 5/8" | 3/4" | 1-1/4" | 1-5/8" | 2" | 2-3/8" |

THE NEW SHAPE IN PRODUCTIVITY

- PRECISION BRAND Slotted Shim is the best way to solve alignment and leveling problems on motors, pumps, generators and other plant machinery
- These shims are economical, safe and accurate
- Available in six sizes to cover most applications
- Full line kits and replacement sizes are available
- 300 series stainless steel resists rust and corrosion
- Each shim marked with thickness in decimal and/or metric
- Shim thickness tolerances meet or exceed industry standards
- Shims conform to standard bolt and stud sizes
- 6" & 8" sizes are a new way to level large, heavy-duty motors, pumps and equipment
- 6" & 8" sizes are available in thicknesses from .001" to .500"

Decimal Slotted Shim Assortment Kits

| Kit Type | Size A 2" x 2" | | Size B 3" x 3" | | Size C 4" x 4" | | Size D 5" x 5" | | Kit Type | Size E 6" x 6" | | Size H 8" x 8" | |
|-------------------------------------|-------------------|----------|-------------------|----------|-------------------|----------|-------------------|----------|--|-------------------|----------|-------------------|----------|
| | UPC No. | Lb. Wgt. | UPC No. | Lb. Wgt. | UPC No. | Lb. Wgt. | UPC No. | Lb. Wgt. | | UPC No. | Lb. Wgt. | UPC No. | Lb. Wgt. |
| FULL ASSORTMENT ¹ | 42900 | 10.9 | 42910 | 24.4 | 42920 | 41.1 | 42930 | 61.7 | REGULAR ASSORTMENT ⁴ | 42925 | 23.5 | 42935 | 40.0 |
| MINI ASSORTMENT ² | 42940 | 6.8 | 42950 | 14.6 | 42960 | 24.2 | 42970 | 35.5 | | | | | |
| SHOP KIT ³ | 42945 | 3.7 | 42955 | 4.4 | 42965 | 6.6 | 42975 | 9.9 | | | | | |
| METAL BOX ONLY | 42901 | 2.3 | 42911 | 4.2 | 42921 | 6.3 | 42931 | 7.8 | METAL BOX ONLY | 42961 | 4.9 | 42981 | 8.1 |

- ¹ Full Assortment – Each Full Assortment contains 20 pieces of the following sizes: .001", .002", .003", .004", .005", .010", .015", .020", .025", .050", .075", .100" & .125". A Full Assortment Kit contains 260 pieces and is packaged in a durable metal box.
- ² Mini Assortment – Each Mini Assortment contains 10 pieces of the following sizes: .001", .002", .003", .004", .005", .010", .015", .020", .025", .050", .075", .100" & .125". A Mini Assortment Kit contains 130 pieces and is packaged in a durable metal box.
- ³ Shop Kit – Each Shop Kit contains 10 pieces of the following sizes: .001", .003", .005", .010", .015", .020", .025" & .075". A Shop Kit contains 80 pieces and is packaged in a sturdy chipboard box.
- ⁴ Regular Assortment – Each Regular Assortment contains 4 pieces of the following sizes: .001", .002", .003", .004", .005", .010", .015", .020", .025", .050", .075", .100" & .125". A Regular Assortment Kit contains 52 pieces and is packaged in a durable metal box.

Decimal Slotted Shim Refill Packages

| Decimal Thickness | Pcs. Per Pkg. | Size A – 2" x 2" | | Size B – 3" x 3" | | Size C – 4" x 4" | | Size D – 5" x 5" | | Pcs. Per Pkg. | Size E – 6" x 6" | | Size H – 8" x 8" | |
|-------------------|---------------|------------------|----------|------------------|----------|------------------|----------|------------------|----------|---------------|------------------|----------|------------------|----------|
| | | UPC No. | Lb. Wgt. | UPC No. | Lb. Wgt. | UPC No. | Lb. Wgt. | UPC No. | Lb. Wgt. | | UPC No. | Lb. Wgt. | UPC No. | Lb. Wgt. |
| .001 | 20 | 42205 | .03 | 42305 | .07 | 42405 | .11 | 42505 | .17 | 5 | 42605 | .15 | 42805 | .22 |
| .002 | 20 | 42210 | .05 | 42310 | .12 | 42410 | .19 | 42510 | .30 | 5 | 42610 | .20 | 42810 | .32 |
| .003 | 20 | 42215 | .07 | 42315 | .15 | 42415 | .27 | 42515 | .43 | 5 | 42615 | .25 | 42815 | .37 |
| .004 | 20 | 42220 | .09 | 42320 | .21 | 42420 | .35 | 42520 | .54 | 5 | 42620 | .30 | 42820 | .47 |
| .005 | 20 | 42225 | .11 | 42325 | .25 | 42425 | .43 | 42525 | .65 | 5 | 42625 | .35 | 42825 | .57 |
| .010 | 20 | 42230 | .21 | 42330 | .48 | 42430 | .81 | 42530 | 1.28 | 5 | 42630 | .65 | 42830 | 1.02 |
| .015 | 10 | 42235 | .16 | 42335 | .38 | 42435 | .65 | 42535 | .99 | 5 | 42635 | .90 | 42835 | 1.47 |
| .020 | 10 | 42240 | .22 | 42340 | .49 | 42440 | .85 | 42540 | 1.30 | 5 | 42640 | 1.15 | 42840 | 1.92 |
| .025 | 10 | 42245 | .27 | 42345 | .61 | 42445 | 1.05 | 42545 | 1.61 | 5 | 42645 | 1.40 | 42845 | 2.37 |
| .050 | 5 | 42250 | .27 | 42350 | .61 | 42450 | 1.03 | 42550 | 1.66 | 5 | 42650 | 2.75 | 42850 | 4.62 |
| .075 | 5 | 42255 | .39 | 42355 | .90 | 42455 | 1.53 | 42555 | 2.36 | 5 | 42655 | 4.05 | 42855 | 6.87 |
| .100 | 5 | 42260 | .51 | 42360 | 1.22 | 42460 | 2.07 | 42560 | 3.14 | 5 | 42660 | 5.80 | 42860 | 9.92 |
| .125 | 5 | 42265 | .63 | 42365 | 1.45 | 42465 | 2.48 | 42565 | 3.82 | 5 | 42665 | 6.45 | 42865 | 11.02 |
| .250 | * | | | * | | * | | * | | 1 | 42670 | 2.65 | 42870 | 4.49 |
| .500 | * | | | * | | * | | * | | 1 | 42675 | 5.20 | 42875 | 8.86 |

* Available on special order.



All-In-One Decimal Slotted Shim Assortment Kit

| Kit Description | UPC No. | Lb. Wgt. |
|--|---------|----------|
| Each Assortment contains 5 pcs. of each .001", .002", .003", .004", .005", .010", .015", .020", .025", .050", .075", .100" and .125" in all four shim sizes; A - 2" x 2", B - 3" x 3", C - 4" x 4", and D - 5" x 5". It also contains 5 pieces of each .020" and .045" thick Sof' Shoe® shims in all four sizes; A - 2" x 2", B - 3" x 3", C - 4" x 4" and D - 5" x 5". Assortment contains 300 pieces and is packaged in a durable metal box. | 42996 | 45.00 |

Sof' Shoe® Shim



- PRECISION BRAND Sof' Shoe shim solves angular soft foot alignment problems on motors, pumps, generators, turbines and other plant machinery in minutes
- Sof' Shoe shim cures angular soft foot and extends bearing and motor life
- Sof' Shoe shim is made of a proprietary elastomer which has unique flow and set characteristics to fill irregular gaps
- Sof' Shoe shim is an inexpensive alternative when compared to more time consuming and expensive options such as milling the base or foot, hand cutting graduated shims, replacing base or rebuilding base with poured epoxy
- Each Sof' Shoe shim thickness has a 12 percent flat compression under standard bolt torque, yet will absorb the angularity of nearly half its thickness
- Sof' Shoe shim is stable to 225°F
- Flat sheets are also available on special order
- For more technical information on PRECISION BRAND Sof' Shoe shim and angular soft foot contact the PRECISION BRAND factory

Sof' Shoe® Shim Slot Sizes

| Size A 2" x 2" | Size B 3" x 3" | Size C 4" x 4" | Size D 5" x 5" |
|-------------------|-------------------|-------------------|-------------------|
| 5/8" | 3/4" | 1-1/4" | 1-5/8" |

Sof' Shoe® Slotted Shim

| Decimal Thickness | Color | Pcs. Per Pkg. | Size A 2" x 2" | Size B 3" x 3" | Size C 4" x 4" | Size D 5" x 5" |
|-------------------|--------|---------------|-------------------|-------------------|-------------------|-------------------|
| | | | UPC No. | UPC No. | UPC No. | UPC No. |
| .020 | Blue | 10 | 49105 | 49110 | 49115 | 49120 |
| .045 | Yellow | 10 | 49125 | 49130 | 49135 | 49140 |

Metric Slotted Shim 300 Series Stainless Steel, U.S. Patent # 4,809,421



Metric Slotted Shim Refill Packages

| Millimeter Thickness | Pcs. Per Pkg. | 50mm x 50mm | | 75mm x 75mm | | 100mm x 100mm | | 125mm x 125mm | |
|----------------------|---------------|-------------|----------|-------------|----------|---------------|----------|---------------|----------|
| | | UPC No. | Lb. Wgt. | UPC No. | Lb. Wgt. | UPC No. | Lb. Wgt. | UPC No. | Lb. Wgt. |
| .025 | 10 | 81205 | .06 | 81305 | .09 | 81405 | .13 | 81505 | .17 |
| .050 | 10 | 81210 | .07 | 81310 | .12 | 81410 | .17 | 81510 | .24 |
| .100 | 10 | 81215 | .09 | 81315 | .17 | 81415 | .25 | 81515 | .36 |
| .200 | 10 | 81220 | .13 | 81320 | .26 | 81420 | .41 | 81520 | .61 |
| .250 | 10 | 81225 | .16 | 81325 | .31 | 81425 | .49 | 81525 | .74 |
| .400 | 10 | 81230 | .21 | 81330 | .43 | 81430 | .69 | 81530 | 1.05 |
| .500 | 10 | 81235 | .26 | 81335 | .55 | 81435 | .89 | 81535 | 1.37 |
| .700 | 10 | 81240 | .34 | 81340 | .74 | 81440 | 1.21 | 81540 | 1.87 |
| 1.000 | 10 | 81245 | .47 | 81345 | 1.02 | 81445 | 1.69 | 81545 | 2.63 |
| 2.000 | 10 | 81250 | .87 | 81350 | 1.93 | 81450 | 3.24 | 81550 | 5.06 |

Metric Slotted Shim Slot Sizes

| 50mm X 50mm | 75mm X 75mm | 100mm X 100mm | 125mm X 125mm |
|-------------|-------------|---------------|---------------|
| 16mm | 19mm | 32mm | 41mm |

Metric Slotted Shim Assortment Kits

| Kit Type | 50mm x 50mm | | 75mm x 75mm | | 100mm x 100mm | | 125mm x 125mm | |
|--|-------------|----------|-------------|----------|---------------|----------|---------------|----------|
| | UPC No. | Lb. Wgt. | UPC No. | Lb. Wgt. | UPC No. | Lb. Wgt. | UPC No. | Lb. Wgt. |
| SHOP KIT Each Shop Kit contains 10 pieces of the following sizes: .025mm, .05mm, .1mm, .2mm, .25mm, .4mm, .5mm, .7mm, 1mm & 2mm. A Shop Kit contains 100 pieces and is packaged in a sturdy chipboard box. | 81945 | 2.66 | 81955 | 5.61 | 81965 | 9.17 | 81975 | 14.10 |
| METAL BOX ONLY | 42901 | 2.30 | 42911 | 4.20 | 42921 | 6.30 | 42931 | 7.80 |

Plastic Slotted Shim U.S. Patent # 4,809,421



Plastic Slotted Shim

| Decimal Thickness | Color | Material | Pcs. Per Pkg. | 1" x 1" Size AA 5/16" Slot | | 2" x 2" Size A 5/8" Slot | | 3" x 3" Size B 3/4" Slot | |
|-------------------|--------|-----------|---------------|----------------------------|----------|--------------------------|----------|--------------------------|----------|
| | | | | UPC No. | Lb. Wgt. | UPC No. | Lb. Wgt. | UPC No. | Lb. Wgt. |
| .0005 | Silver | Polyester | 20 | 42100 | .01 | 42117 | .01 | 42134 | .02 |
| .001 | Amber | Polyester | 20 | 42101 | .01 | 42118 | .02 | 42135 | .02 |
| .0015 | Purple | Polyester | 20 | 42102 | .01 | 42119 | .02 | 42136 | .03 |
| .002 | Red | Polyester | 20 | 42103 | .01 | 42120 | .02 | 42137 | .03 |
| .003 | Green | Polyester | 20 | 42104 | .01 | 42121 | .02 | 42138 | .04 |
| .004 | Tan | Polyester | 20 | 42105 | .01 | 42122 | .03 | 42139 | .05 |
| .005 | Blue | Polyester | 20 | 42106 | .01 | 42123 | .03 | 42140 | .06 |
| .0075 | Matte | Vinyl | 20 | 42107 | .02 | 42124 | .04 | 42141 | .07 |
| .010 | Brown | Vinyl | 20 | 42108 | .02 | 42125 | .05 | 42142 | .09 |
| .0125 | Black | Vinyl | 20 | 42109 | .02 | 42126 | .05 | 42143 | .11 |
| .015 | Pink | Vinyl | 20 | 42110 | .02 | 42127 | .06 | 42144 | .13 |
| .020 | Yellow | Vinyl | 20 | 42111 | .02 | 42128 | .08 | 42145 | .17 |
| .025 | White | Vinyl | 20 | 42112 | .03 | 42129 | .09 | 42146 | .21 |
| .030 | Coral | Vinyl | 20 | 42113 | .03 | 42130 | .11 | 42147 | .24 |
| .040 | Clear | Vinyl | 20 | 42114 | .04 | 42131 | .14 | 42148 | .31 |
| .050 | Clear | Vinyl | 20 | 42115 | .04 | 42132 | .17 | 42149 | .39 |
| .060 | Clear | Vinyl | 20 | 42116 | .05 | 42133 | .20 | 42150 | .47 |
| Asst.* | - | - | 170 | 42904 | .19 | 42905 | .67 | 42906 | 1.45 |

- PRECISION BRAND Plastic Slotted Shim is used for mounting and leveling smaller fractional horsepower motors, various gages and instruments, and light-duty plant machinery
- Each thickness is easily identified by its own color

* Asst.'s contain 10 pieces of each thickness listed above and are packaged in a sturdy chipboard box.

Laminated Brass Arbor Shims



- PRECISION BRAND Laminated Brass Arbor Shims are made of cold rolled, half hard CDA 260 alloy with .002" laminations
- Peel off layers to needed thickness
- Allows you more accuracy on-site
- Composition 2, Type 1, Class 1
- I.D./O.D. Tolerances +/- .008

Laminated Brass Arbor Shims

| I.D. x O.D. Size | Thickness | | | |
|---------------------|-------------------------|-------------------------|--------------------------|--------------------------|
| | .020"/.508mm UPC No. | .032"/.813mm UPC No. | .062"/1.575mm UPC No. | .125"/3.175mm UPC No. |
| 3/8 x 5/8 | – | 74105 | 74110 | – |
| 1/2 x 3/4 | 74050 | 74055 | 74060 | – |
| 5/8 x 1 | 74200 | 74205 | 74210 | 74215 |
| 3/4 x 1-1/8 | 74250 | 74255 | 74260 | 74265 |
| 7/8 x 1-3/8 | 74300 | 74305 | 74310 | 74315 |
| 1 x 1-1/2 | 74350 | 74355 | 74360 | 74365 |
| 1-1/4 x 1-3/4 | 74400 | 74405 | 74410 | 74415 |
| 1-3/8 x 1-7/8 | 74450 | 74455 | 74460 | 74465 |
| 1-1/2 x 2-1/8 | 74500 | 74505 | 74510 | 74515 |
| 1-3/4 x 2-3/4 | 74550 | 74555 | 74560 | 74565 |
| 2 x 2-3/4 | 74600 | 74605 | 74610 | 74615 |

Laminated Shim

- Available in TYPE 1 (fully laminated) sheets
- TYPE 2 (1/2 solid stock) and TYPE 3 (3/4 solid stock) available on special order
- PRECISION BRAND Laminated Brass Shim (Comp. 2) is made from a half hard CDA 260 alloy
- PRECISION BRAND Laminated Aluminum Shim (Comp. 1) is made from an 1100 Series; H19, Series 5052 available on special order
- PRECISION BRAND Laminated Stainless Steel Shim (Comp. 3) is made from an annealed 300 Series Stainless
- PRECISION BRAND Laminated Steel Shim (Comp. 4) is made from a cold rolled 1008-1010 Carbon Steel

8" x 24" Laminated Brass Shim

(Composition 2)

12" x 24" Laminated Brass Shim

(Composition 2)

| Sheet Thickness | | .002 Laminations | Sheet Lb. Wgt. | .003 Laminations | .002 Laminations | Sheet Lb. Wgt. | .003 Laminations |
|-----------------|-------------|-------------------|----------------|-------------------|-------------------|----------------|-------------------|
| Decimal | Metric (mm) | UPC No. (Class 1) | | UPC No. (Class 2) | UPC No. (Class 1) | | UPC No. (Class 2) |
| .006 | .152 | 70006 | .38 | – | 70506 | .57 | – |
| .008 | .203 | 70008 | .50 | – | 70508 | .75 | – |
| .010 | .254 | 70010 | .60 | – | 70510 | .90 | – |
| .016 | .406 | 70016 | .95 | 70316 | 70516 | 1.42 | 70716 |
| .021 | .533 | 70021 | 1.20 | 70321 | 70521 | 1.80 | 70721 |
| .032 | .813 | 70032 | 1.90 | 70332 | 70532 | 2.80 | 70732 |
| .048 | 1.219 | 70048 | 2.80 | 70348 | 70548 | 4.20 | 70748 |
| .062 | 1.575 | 70062 | 3.80 | 70362 | 70562 | 5.70 | 70762 |
| .094 | 2.388 | 70094 | 5.60 | 70394 | 70594 | 8.40 | 70794 |
| .125 | 3.175 | 70125 | 7.50 | 70425 | 70625 | 11.30 | 70825 |

24" x 24" Laminated Aluminum Shim

(Composition 1)

20" x 24" Laminated Stainless Steel Shim

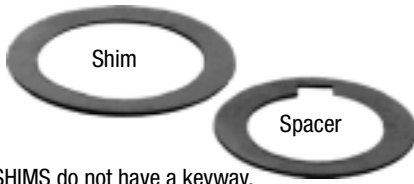
(Composition 3)

20" x 24" Laminated Steel Shim

(Composition 4)

| Sheet Thickness | | .002 Laminations | Sheet Lb. Wgt. | .003 Laminations | .002 Laminations | Sheet Lb. Wgt. | .003 Laminations | .002 Laminations | Sheet Lb. Wgt. | .003 Laminations |
|-----------------|-------------|-------------------|----------------|-------------------|-------------------|----------------|-------------------|-------------------|----------------|-------------------|
| Decimal | Metric (mm) | UPC No. (Class 1) | | UPC No. (Class 2) | UPC No. (Class 1) | | UPC No. (Class 2) | UPC No. (Class 1) | | UPC No. (Class 2) |
| .006 | .152 | 71006 | .30 | – | – | – | – | 73006 | .80 | – |
| .008 | .203 | 71008 | .40 | – | 72008 | 1.20 | – | 73008 | 1.10 | – |
| .010 | .254 | 71010 | .60 | 71310 | 72010 | 1.40 | 72310 | 73010 | 1.40 | – |
| .016 | .406 | 71016 | .90 | 71316 | 72016 | 2.30 | 72316 | 73016 | 2.30 | 73316 |
| .020 | .508 | – | – | – | 72020 | 2.80 | 72320 | 73020 | 2.80 | 73320 |
| .021 | .533 | 71021 | 1.20 | 71321 | – | – | – | – | – | – |
| .032 | .813 | 71032 | 1.90 | 71332 | 72032 | 4.50 | 72332 | 73032 | 4.50 | 73332 |
| .048 | 1.219 | 71048 | 2.80 | 71348 | 72048 | 6.70 | 72348 | 73048 | 6.70 | 73348 |
| .062 | 1.575 | 71062 | 3.60 | 71362 | 72062 | 8.70 | 72362 | 73062 | 8.70 | 73362 |
| .094 | 2.388 | 71094 | 5.30 | 71394 | 72094 | 13.20 | 72394 | 73094 | 13.20 | 73394 |
| .125 | 3.175 | 71125 | 7.20 | 71425 | 72125 | 19.90 | 72425 | 73125 | 19.90 | 73425 |

Arbor Spacers & Shims



SHIMS do not have a keyway,
SPACERS do have a keyway

- Made of high quality Low Carbon, Cold Rolled, Full Hard, Steel Shim
- Keyways conform to American standards
- Packaged in air tight poly bags, 10 pieces per bag (except assortments)
- Special sizes, materials and bulk quantities available on request
- Used for fast, accurate spacing of milling cutters, gang cutters, saws, slitting blades and grinding tools
- Assortment kits also available (see page 31)
- Tolerances:
ID: +.011"/-.000"
OD: +/- .002"



Arbor Shims



| 1/4" I.D. x 3/8" O.D. | | | | | | 11/32" I.D. x 13/16" O.D. | | | | | |
|-----------------------|-------------|------------------------------|-----------|-------------|------------------------------|---------------------------|-------------|------------------------------|-----------|-------------|------------------------------|
| Thickness | | Shims Without Keyway UPC No. | Thickness | | Shims Without Keyway UPC No. | Thickness | | Shims Without Keyway UPC No. | Thickness | | Shims Without Keyway UPC No. |
| Decimal | Metric (mm) | | Decimal | Metric (mm) | | Decimal | Metric (mm) | | Decimal | Metric (mm) | |
| .001 | .025 | 25081 | .012 | .305 | 25091 | .001 | .025 | 25481 | .012 | .305 | 25491 |
| .0015 | .038 | 25082 | .015 | .381 | 25092 | .0015 | .038 | 25482 | .015 | .381 | 25492 |
| .002 | .051 | 25083 | .020 | .508 | 25093 | .002 | .051 | 25483 | .020 | .508 | 25493 |
| .003 | .076 | 25084 | .025 | .635 | 25094 | .003 | .076 | 25484 | .025 | .635 | 25494 |
| .004 | .102 | 25085 | .031 | .787 | 25095 | .004 | .102 | 25485 | .031 | .787 | 25495 |
| .005 | .127 | 25086 | .047 | 1.194 | 25096 | .005 | .127 | 25486 | .047 | 1.194 | 25496 |
| .006 | .152 | 25087 | .062 | 1.575 | 25097 | .006 | .152 | 25487 | .062 | 1.575 | 25497 |
| .007 | .178 | 25088 | .093 | 2.362 | 25098 | .007 | .178 | 25488 | .093 | 2.362 | 25498 |
| .008 | .203 | 25089 | .125 | 3.175 | 25099 | .008 | .203 | 25489 | .125 | 3.175 | 25499 |
| .010 | .254 | 25090 | Asst.* | - | 25100 | .010 | .254 | 25490 | Asst.* | - | 25500 |

Arbor Spacers & Shims

| Thickness | 3/8" I.D. x 5/8" O.D. | | 1/2" I.D. x 3/4" O.D. | | 5/8" I.D. x 1" O.D. | | 3/4" I.D. x 1-1/8" O.D. | | 7/8" I.D. x 1-3/8" O.D. | | 1" I.D. x 1-1/2" O.D. | | |
|-----------|-----------------------|-------------|--|------------------------------|--|------------------------------|---|------------------------------|---|------------------------------|---|------------------------------|-------|
| | Decimal | Metric (mm) | Spacers With 1/8" x 3/64" Keyway UPC No. | Shims Without Keyway UPC No. | Spacers With 1/8" x 3/64" Keyway UPC No. | Shims Without Keyway UPC No. | Spacers With 3/16" x 1/16" Keyway UPC No. | Shims Without Keyway UPC No. | Spacers With 3/16" x 5/64" Keyway UPC No. | Shims Without Keyway UPC No. | Spacers With 3/16" x 5/64" Keyway UPC No. | Shims Without Keyway UPC No. | |
| .001 | .025 | 24101 | 25101 | 24121 | 25121 | 24141 | 25141 | 24161 | 25161 | 24181 | 25181 | 24201 | 25201 |
| .0015 | .038 | 24102 | 25102 | 24122 | 25122 | 24142 | 25142 | 24162 | 25162 | 24182 | 25182 | 24202 | 25202 |
| .002 | .051 | 24103 | 25103 | 24123 | 25123 | 24143 | 25143 | 24163 | 25163 | 24183 | 25183 | 24203 | 25203 |
| .003 | .076 | 24104 | 25104 | 24124 | 25124 | 24144 | 25144 | 24164 | 25164 | 24184 | 25184 | 24204 | 25204 |
| .004 | .102 | 24105 | 25105 | 24125 | 25125 | 24145 | 25145 | 24165 | 25165 | 24185 | 25185 | 24205 | 25205 |
| .005 | .127 | 24106 | 25106 | 24126 | 25126 | 24146 | 25146 | 24166 | 25166 | 24186 | 25186 | 24206 | 25206 |
| .006 | .152 | 24107 | 25107 | 24127 | 25127 | 24147 | 25147 | 24167 | 25167 | 24187 | 25187 | 24207 | 25207 |
| .007 | .178 | 24108 | 25108 | 24128 | 25128 | 24148 | 25148 | 24168 | 25168 | 24188 | 25188 | 24208 | 25208 |
| .008 | .203 | 24109 | 25109 | 24129 | 25129 | 24149 | 25149 | 24169 | 25169 | 24189 | 25189 | 24209 | 25209 |
| .010 | .254 | 24110 | 25110 | 24130 | 25130 | 24150 | 25150 | 24170 | 25170 | 24190 | 25190 | 24210 | 25210 |
| .012 | .305 | 24111 | 25111 | 24131 | 25131 | 24151 | 25151 | 24171 | 25171 | 24191 | 25191 | 24211 | 25211 |
| .015 | .381 | 24112 | 25112 | 24132 | 25132 | 24152 | 25152 | 24172 | 25172 | 24192 | 25192 | 24212 | 25212 |
| .020 | .508 | 24113 | 25113 | 24133 | 25133 | 24153 | 25153 | 24173 | 25173 | 24193 | 25193 | 24213 | 25213 |
| .025 | .635 | 24114 | 25114 | 24134 | 25134 | 24154 | 25154 | 24174 | 25174 | 24194 | 25194 | 24214 | 25214 |
| .031 | .787 | 24115 | 25115 | 24135 | 25135 | 24155 | 25155 | 24175 | 25175 | 24195 | 25195 | 24215 | 25215 |
| .047 | 1.194 | 24116 | 25116 | 24136 | 25136 | 24156 | 25156 | 24176 | 25176 | 24196 | 25196 | 24216 | 25216 |
| .062 | 1.575 | 24117 | 25117 | 24137 | 25137 | 24157 | 25157 | 24177 | 25177 | 24197 | 25197 | 24217 | 25217 |
| .093 | 2.362 | 24118 | 25118 | 24138 | 25138 | 24158 | 25158 | 24178 | 25178 | 24198 | 25198 | 24218 | 25218 |
| .125 | 3.175 | 24119 | 25119 | 24139 | 25139 | 24159 | 25159 | 24179 | 25179 | 24199 | 25199 | 24219 | 25219 |
| Asst.* | - | 24120 | 25120 | 24140 | 25140 | 24160 | 25160 | 24180 | 25180 | 24200 | 25200 | 24220 | 25220 |

* Assortments contain one each of the 19 different thicknesses.

Arbor Spacers & Shims

| Thickness | | 1-1/8" I.D. x 1-5/8" O.D. | | 1-1/4" I.D. x 1-3/4" O.D. | | 1-3/8" I.D. x 1-7/8" O.D. | | 1-1/2" I.D. x 2-1/8" O.D. | | 1-3/4" I.D. x 2-3/4" O.D. | | 2" I.D. x 2-3/4" O.D. | |
|-----------|----------------|---|-------|---------------------------------------|-------|---|-------|---------------------------------------|-------|---|-------|---------------------------------------|-------|
| Decimal | Metric (mm) | Spacers With 1/4" x 3/32" Keyway UPC No. | | Shims Without Keyway UPC No. | | Spacers With 5/16" x 1/8" Keyway UPC No. | | Shims Without Keyway UPC No. | | Spacers With 3/8" x 5/32" Keyway UPC No. | | Shims Without Keyway UPC No. | |
| | | .001 | .025 | 24221 | 25221 | 24241 | 25241 | 24261 | 25261 | 24441 | 25441 | 24301 | 25301 |
| .0015 | .038 | 24222 | 25222 | 24242 | 25242 | 24262 | 25262 | 24442 | 25442 | 24302 | 25302 | 24462 | 25462 |
| .002 | .051 | 24223 | 25223 | 24243 | 25243 | 24263 | 25263 | 24443 | 25443 | 24303 | 25303 | 24463 | 25463 |
| .003 | .076 | 24224 | 25224 | 24244 | 25244 | 24264 | 25264 | 24444 | 25444 | 24304 | 25304 | 24464 | 25464 |
| .004 | .102 | 24225 | 25225 | 24245 | 25245 | 24265 | 25265 | 24445 | 25445 | 24305 | 25305 | 24465 | 25465 |
| .005 | .127 | 24226 | 25226 | 24246 | 25246 | 24266 | 25266 | 24446 | 25446 | 24306 | 25306 | 24466 | 25466 |
| .006 | .152 | 24227 | 25227 | 24247 | 25247 | 24267 | 25267 | 24447 | 25447 | 24307 | 25307 | 24467 | 25467 |
| .007 | .178 | 24228 | 25228 | 24248 | 25248 | 24268 | 25268 | 24448 | 25448 | 24308 | 25308 | 24468 | 25468 |
| .008 | .203 | 24229 | 25229 | 24249 | 25249 | 24269 | 25269 | 24449 | 25449 | 24309 | 25309 | 24469 | 25469 |
| .010 | .254 | 24230 | 25230 | 24250 | 25250 | 24270 | 25270 | 24450 | 25450 | 24310 | 25310 | 24470 | 25470 |
| .012 | .305 | 24231 | 25231 | 24251 | 25251 | 24271 | 25271 | 24451 | 25451 | 24311 | 25311 | 24471 | 25471 |
| .015 | .381 | 24232 | 25232 | 24252 | 25252 | 24272 | 25272 | 24452 | 25452 | 24312 | 25312 | 24472 | 25472 |
| .020 | .508 | 24233 | 25233 | 24253 | 25253 | 24273 | 25273 | 24453 | 25453 | 24313 | 25313 | 24473 | 25473 |
| .025 | .635 | 24234 | 25234 | 24254 | 25254 | 24274 | 25274 | 24454 | 25454 | 24314 | 25314 | 24474 | 25474 |
| .031 | .787 | 24235 | 25235 | 24255 | 25255 | 24275 | 25275 | 24455 | 25455 | 24315 | 25315 | 24475 | 25475 |
| .047 | 1.194 | 24236 | 25236 | 24256 | 25256 | 24276 | 25276 | 24456 | 25456 | 24316 | 25316 | 24476 | 25476 |
| .062 | 1.575 | 24237 | 25237 | 24257 | 25257 | 24277 | 25277 | 24457 | 25457 | 24317 | 25317 | 24477 | 25477 |
| .093 | 2.362 | 24238 | 25238 | 24258 | 25258 | 24278 | 25278 | 24458 | 25458 | 24318 | 25318 | 24478 | 25478 |
| .125 | 3.175 | 24239 | 25239 | 24259 | 25259 | 24279 | 25279 | 24459 | 25459 | 24319 | 25319 | 24479 | 25479 |
| Asst.* | - | 24240 | 25240 | 24260 | 25260 | 24280 | 25280 | 24460 | 25460 | 24320 | 25320 | 24480 | 25480 |

* Assortments contain one each of the 19 different thicknesses

Arbor Shim Assortment Kits



- PRECISION BRAND Arbor Shim Assortment Kits contain the most commonly used Arbor Shims
- Made of high quality Steel Shim; low carbon cold rolled steel
- Plastic compartment boxes are easy to store
- Refill packages available, see above and page 30

Arbor Shim Assortment Kits

| Assortment Thicknesses | Assortment Sizes | Assortment UPC No. |
|------------------------|------------------|--------------------|
| .005 | 3/8" x 5/8" | 25998* |
| .010 | 1/2" x 3/4" | |
| .015 | 5/8" x 1" | |
| | 3/4" x 1-1/8" | |
| | 7/8" x 1-3/8" | 25999* |
| .020 | 3/8" x 5/8" | |
| .031 | 1/2" x 3/4" | |
| .125 | 5/8" x 1" | |
| | 3/4" x 1-1/8" | |
| | 1" x 1-1/2" | |

* Assortment contains 10 pieces of each thickness in each size, for a total of 150 pieces.

Plastic Arbor Shims



- PRECISION BRAND Plastic Arbor Shims are used for light duty spacing
 - Used for fast, accurate spacing of milling cutters, gang cutters, saws and grinding tools
 - Easy identification because the color tells the thickness
 - Corrosion resistant
 - Non-magnetic
 - 10 pieces per package
 - Larger and thicker shims are available on special order
- Tolerances:
ID: +.005"/-.015"
OD: +.005"/-.005"

Plastic Arbor Shims

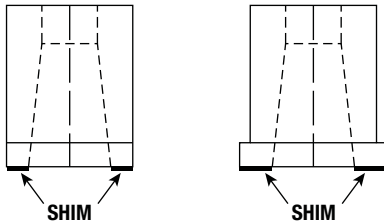
| Thickness | | Color | 3/8" I.D. | 1/2" I.D. | 5/8" I.D. | 3/4" I.D. | 7/8" I.D. | 1" I.D. |
|-----------|-------------|--------|---------------------------|---------------------------|-------------------------|-----------------------------|-----------------------------|-----------------------------|
| Decimal | Metric (mm) | | X 5/8" O.D. UPC No. | X 3/4" O.D. UPC No. | X 1" O.D. UPC No. | X 1-1/8" O.D. UPC No. | X 1-3/8" O.D. UPC No. | X 1-1/2" O.D. UPC No. |
| .001 | .025 | Amber | 44701 | 44715 | 44729 | 44743 | 44757 | 44771 |
| .0015 | .038 | Purple | 44702 | 44716 | 44730 | 44744 | 44758 | 44772 |
| .002 | .051 | Red | 44703 | 44717 | 44731 | 44745 | 44759 | 44773 |
| .003 | .076 | Green | 44704 | 44718 | 44732 | 44746 | 44760 | 44774 |
| .004 | .102 | Tan | 44705 | 44719 | 44733 | 44747 | 44761 | 44775 |
| .005 | .127 | Blue | 44706 | 44720 | 44734 | 44748 | 44762 | 44776 |
| .0075 | .191 | Matte | 44707 | 44721 | 44735 | 44749 | 44763 | 44777 |
| .010 | .254 | Brown | 44708 | 44722 | 44736 | 44750 | 44764 | 44778 |
| .0125 | .318 | Black | 44709 | 44723 | 44737 | 44751 | 44765 | 44779 |
| .015 | .381 | Pink | 44710 | 44724 | 44738 | 44752 | 44766 | 44780 |
| .020 | .508 | Yellow | 44711 | 44725 | 44739 | 44753 | 44767 | 44781 |
| .025 | .635 | White | 44712 | 44726 | 44740 | 44754 | 44768 | 44782 |
| .030 | .762 | Coral | 44713 | 44727 | 44741 | 44755 | 44769 | 44783 |
| Asst.* | - | - | 44714 | 44728 | 44742 | 44756 | 44770 | 44784 |

* Assortment includes one of each thickness listed above.

Plastic Arbor Shims

| Thickness | | Color | 1-1/8" I.D. | 1-1/4" I.D. | 1-3/8" I.D. | 1-1/2" I.D. | 1-3/4" I.D. | 2" I.D. |
|-----------|-------------|--------|-----------------------------|-----------------------------|-----------------------------|-----------------------------|-----------------------------|-----------------------------|
| Decimal | Metric (mm) | | X 1-5/8" O.D. UPC No. | X 1-3/4" O.D. UPC No. | X 1-7/8" O.D. UPC No. | X 2-1/8" O.D. UPC No. | X 2-3/4" O.D. UPC No. | X 2-3/4" O.D. UPC No. |
| .001 | .025 | Amber | 44785 | 44799 | 44813 | 44827 | 44841 | 44855 |
| .0015 | .038 | Purple | 44786 | 44800 | 44814 | 44828 | 44842 | 44856 |
| .002 | .051 | Red | 44787 | 44801 | 44815 | 44829 | 44843 | 44857 |
| .003 | .076 | Green | 44788 | 44802 | 44816 | 44830 | 44844 | 44858 |
| .004 | .102 | Tan | 44789 | 44803 | 44817 | 44831 | 44845 | 44859 |
| .005 | .127 | Blue | 44790 | 44804 | 44818 | 44832 | 44846 | 44860 |
| .0075 | .191 | Matte | 44791 | 44805 | 44819 | 44833 | 44847 | 44861 |
| .010 | .254 | Brown | 44792 | 44806 | 44820 | 44834 | 44848 | 44862 |
| .0125 | .318 | Black | 44793 | 44807 | 44821 | 44835 | 44849 | 44863 |
| .015 | .381 | Pink | 44794 | 44808 | 44822 | 44836 | 44850 | 44864 |
| .020 | .508 | Yellow | 44795 | 44809 | 44823 | 44837 | 44851 | 44865 |
| .025 | .635 | White | 44796 | 44810 | 44824 | 44838 | 44852 | 44866 |
| .030 | .762 | Coral | 44797 | 44811 | 44825 | 44839 | 44853 | 44867 |
| Asst.* | - | - | 44798 | 44812 | 44826 | 44840 | 44854 | 44868 |

* Assortment includes one of each thickness listed above.



- Shims quickly adjust height of sharpened die button
- Easily extends the “life” of a die button
- Saves time over hand punching custom shims
- Large I.D. accommodates multiple size die openings and reduces the risk of “slug stacking”
- Hardened steel maintains precision thickness under heavy pressure
- .005" thickness is made from 1095 blue tempered spring steel
- .015" and .032" thickness is made from 1075 tempered spring steel
- Available in assortment and refill packages

Die Button Shims

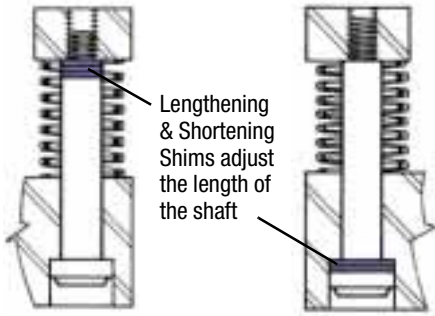
| Thickness | Button Size | Max. O.D. | Min. I.D. | Pcs. Per Pkg. | UPC No. | Lb. Wgt. |
|------------------|-------------|-----------|-----------|---------------|---------|----------|
| .005" | 1/4" | .249" | .17" | 50 | 26900 | .01 |
| .015" | 1/4" | .249" | .17" | 50 | 26901 | .01 |
| NEW .032" | 1/4" | .249" | .17" | 25 | 26802 | .01 |
| .005" | 5/16" | .3115" | .23" | 50 | 26903 | .01 |
| .015" | 5/16" | .3115" | .23" | 50 | 26904 | .01 |
| NEW .032" | 5/16" | .3115" | .23" | 25 | 26805 | .01 |
| .005" | 3/8" | .374" | .285" | 50 | 26906 | .01 |
| .015" | 3/8" | .374" | .285" | 50 | 26907 | .01 |
| NEW .032" | 3/8" | .374" | .285" | 25 | 26808 | .01 |
| .005" | 7/16" | .4365" | .31" | 50 | 26909 | .01 |
| .015" | 7/16" | .4365" | .31" | 50 | 26910 | .02 |
| NEW .032" | 7/16" | .4365" | .31" | 25 | 26811 | .02 |
| .005" | 1/2" | .499" | .35" | 50 | 26912 | .02 |
| .015" | 1/2" | .499" | .35" | 50 | 26913 | .02 |
| NEW .032" | 1/2" | .499" | .35" | 25 | 26814 | .02 |
| .005" | 5/8" | .624" | .47" | 50 | 26915 | .01 |
| .015" | 5/8" | .624" | .47" | 50 | 26916 | .03 |
| NEW .032" | 5/8" | .624" | .47" | 25 | 26817 | .03 |
| .005" | 3/4" | .749" | .595" | 50 | 26918 | .02 |
| .015" | 3/4" | .749" | .595" | 50 | 26919 | .04 |
| NEW .032" | 3/4" | .749" | .595" | 25 | 26820 | .04 |
| .005" | 7/8" | .874" | .625" | 50 | 26921 | .03 |
| .015" | 7/8" | .874" | .625" | 50 | 26922 | .06 |
| NEW .032" | 7/8" | .874" | .625" | 25 | 26823 | .06 |
| .005" | 1" | .999" | .75" | 50 | 26924 | .03 |
| .015" | 1" | .999" | .75" | 50 | 26925 | .07 |
| NEW .032" | 1" | .999" | .75" | 25 | 26826 | .07 |
| Asst.* | — | — | — | 450 | 26930 | .46 |

* Assortment contains 25 pieces of each .005" and .015" thick sizes listed above.

Distributed by
ATA
1-800-968-6868

Shoulder Screw/Stripper Bolt Shims

(Lengthening & Shortening Shims)



Lengthening Shims

Shortening Shims

- PRECISION BRAND Lengthening Shims fit over the stripper screw threads and under the shoulder which, in effect, lengthens the stripper screw length
- PRECISION BRAND Shortening Shims are precision die cut to fit with close tolerances around the shoulder screw shank to fit under the screw head
- Fits six different shoulder screw sizes from 1/4" to 3/4" diameter
- .005" shims are precision die cut from 1095 blue tempered spring steel
- .015" and .032" shims are die cut from 1075 tempered spring steel

Lengthening Shims

| Decimal Size | | Screw Size | Decimal Thickness | Bulk (50 Pcs.) UPC No. | Super Bulk (1000 Pcs.) UPC No. |
|--------------|------|------------|-------------------|---------------------------|-----------------------------------|
| I.D. | O.D. | | | | |
| .171 | .248 | 1/4" | .005 | 26051 | 26031 |
| .171 | .248 | 1/4" | .015 | 26052 | 26032 |
| .187 | .248 | 1/4" | .032 | 26053 | 26033 |
| .234 | .308 | 5/16" | .005 | 26054 | 26034 |
| .234 | .308 | 5/16" | .015 | 26055 | 26035 |
| .234 | .308 | 5/16" | .032 | 26056 | 26036 |
| .289 | .371 | 3/8" | .005 | 26057 | 26037 |
| .289 | .371 | 3/8" | .015 | 26058 | 26038 |
| .296 | .371 | 3/8" | .032 | 26059 | 26039 |
| .352 | .496 | 1/2" | .005 | 26060 | 26040 |
| .352 | .496 | 1/2" | .015 | 26061 | 26041 |
| .352 | .496 | 1/2" | .032 | 26062 | 26042 |
| .473 | .621 | 5/8" | .005 | 26063 | 26043 |
| .473 | .621 | 5/8" | .015 | 26064 | 26044 |
| .473 | .621 | 5/8" | .032 | 26065 | 26045 |
| .598 | .746 | 3/4" | .005 | 26066 | 26046 |
| .598 | .746 | 3/4" | .015 | 26067 | 26047 |
| .598 | .746 | 3/4" | .032 | 26068 | 26048 |

Lengthening Shim Assortment **UPC No. 26005** (15 of each size listed above, 270 total pieces)

Lengthening Shim Kit **UPC No. 26999** (50 of each .015" thickness listed above, 300 total pieces)

Shortening Shims

| Decimal Size | | Screw Size | Decimal Thickness | Bulk (50 Pcs.) UPC No. | Super Bulk (1000 Pcs.) UPC No. |
|--------------|------|------------|-------------------|---------------------------|-----------------------------------|
| I.D. | O.D. | | | | |
| .252 | .366 | 1/4" | .005 | 26151 | 26131 |
| .252 | .366 | 1/4" | .015 | 26152 | 26132 |
| .252 | .366 | 1/4" | .032 | 26153 | 26133 |
| .313 | .424 | 5/16" | .005 | 26154 | 26134 |
| .313 | .424 | 5/16" | .015 | 26155 | 26135 |
| .313 | .424 | 5/16" | .032 | 26156 | 26136 |
| .376 | .557 | 3/8" | .005 | 26157 | 26137 |
| .376 | .557 | 3/8" | .015 | 26158 | 26138 |
| .376 | .557 | 3/8" | .032 | 26159 | 26139 |
| .501 | .738 | 1/2" | .005 | 26160 | 26140 |
| .501 | .738 | 1/2" | .015 | 26161 | 26141 |
| .501 | .738 | 1/2" | .032 | 26162 | 26142 |
| .626 | .870 | 5/8" | .005 | 26163 | 26143 |
| .626 | .870 | 5/8" | .015 | 26164 | 26144 |
| .626 | .870 | 5/8" | .032 | 26165 | 26145 |
| .751 | .995 | 3/4" | .005 | 26166 | 26146 |
| .751 | .995 | 3/4" | .015 | 26167 | 26147 |
| .751 | .995 | 3/4" | .032 | 26168 | 26148 |

Shortening Shim Assortment **UPC No. 26010** (15 of each size listed above, 270 total pieces)

- PRECISION BRAND Ground Flat Stock is made from general purpose tool steel
- Ideal material for tools, dies, punches, templates, stripper plates and general precision machine parts
- Pre-ground on all surfaces to close tolerances
- An electric furnace melt tool steel
- Fully spheroidized structure

18" Lengths 0-1 Oil Hardening Ground Flat Stock

| Thickness | Size | | UPC No. |
|-----------|--------|-------|---------|
| | Width | | |
| 1/16" | 1/2" | | 30040 |
| | 3/4" | | 30041 |
| | 1" | | 30042 |
| | 1-1/4" | | 30043 |
| | 1-1/2" | | 30044 |
| | 1-3/4" | | 30045 |
| | 2" | | 30046 |
| | 2-1/2" | | 30047 |
| | 3" | | 30048 |
| | 3-1/2" | | 30049 |
| 4" | | 30050 | |
| 5/64" | 1/2" | | 30060 |
| | 3/4" | | 30061 |
| | 1" | | 30062 |
| | 1-1/2" | | 30063 |
| 2" | | 30064 | |
| 3/32" | 1/2" | | 30070 |
| | 3/4" | | 30071 |
| | 1" | | 30072 |
| | 1-1/4" | | 30073 |
| | 1-1/2" | | 30074 |
| | 2" | | 30075 |
| | 2-1/2" | | 30076 |
| 3" | | 30077 | |
| 7/64" | 1/2" | | 30082 |
| | 3/4" | | 30083 |
| | 1" | | 30084 |
| | 1-1/4" | | 30085 |
| | 1-1/2" | | 30086 |
| | 2" | | 30087 |
| | 3" | | 30088 |
| 4" | | 30089 | |
| 1/8" | 1/8" | | 30100 |
| | 1/2" | | 30101 |
| | 5/8" | | 30102 |
| | 3/4" | | 30103 |
| | 1" | | 30104 |
| | 1-1/4" | | 30105 |
| | 1-1/2" | | 30106 |
| | 1-3/4" | | 30107 |
| | 2" | | 30108 |
| | 2-1/2" | | 30109 |

18" Lengths 0-1 Oil Hardening Ground Flat Stock

| Thickness | Size | | UPC No. |
|-------------|--------|-------|---------|
| | Width | | |
| 1/8"(cont.) | 3" | | 30110 |
| | 3-1/2" | | 30111 |
| | 4" | | 30112 |
| | 4-1/2" | | 30113 |
| | 5" | | 30114 |
| | 6" | | 30115 |
| 5/32" | 5/32" | | 30130 |
| | 1/2" | | 30131 |
| | 3/4" | | 30132 |
| | 1" | | 30133 |
| | 1-1/4" | | 30134 |
| | 1-1/2" | | 30135 |
| | 1-3/4" | | 30136 |
| | 3/16" | | 30150 |
| | 1/2" | | 30151 |
| | 3/4" | | 30152 |
| 3/16" | 1" | | 30153 |
| | 1-1/4" | | 30154 |
| | 1-1/2" | | 30155 |
| | 1-3/4" | | 30156 |
| | 2" | | 30157 |
| | 2-1/2" | | 30158 |
| | 3" | | 30159 |
| | 3-1/2" | | 30160 |
| | 4" | | 30161 |
| | 5" | | 30162 |
| 6" | | 30163 | |
| 7/32" | 7/32" | | 30170 |
| | 1/2" | | 30171 |
| | 3/4" | | 30172 |
| | 1" | | 30173 |
| | 1-1/4" | | 30174 |
| | 1-1/2" | | 30175 |
| | 2" | | 30176 |
| | 3" | | 30177 |
| | 4" | | 30178 |
| | 6" | | 30179 |
| 1/4" | 1/4" | | 30180 |
| | 1/2" | | 30181 |
| | 3/4" | | 30182 |
| | 1" | | 30183 |
| | 1-1/4" | | 30184 |
| | 1-1/2" | | 30185 |
| | 1-3/4" | | 30186 |
| | 2" | | 30187 |
| | 2-1/2" | | 30188 |
| | 3" | | 30189 |
| 3-1/2" | | 30190 | |
| 4" | | 30191 | |
| 4-1/2" | | 30192 | |
| 5" | | 30193 | |
| 5-1/2" | | 30194 | |
| 6" | | 30195 | |

18" Lengths 0-1 Oil Hardening Ground Flat Stock

| Thickness | Size | | UPC No. | |
|-----------|--------|------|---------|-------|
| | Width | | | |
| 5/16" | 5/16" | | 30225 | |
| | 1/2" | | 30226 | |
| | 3/4" | | 30227 | |
| | 1" | | 30228 | |
| | 1-1/4" | | 30229 | |
| | 1-1/2" | | 30230 | |
| | 1-3/4" | | 30231 | |
| | 2" | | 30232 | |
| | 2-1/2" | | 30233 | |
| | 3" | | 30234 | |
| 3/8" | 3-1/2" | | 30235 | |
| | 4" | | 30236 | |
| | 3/8" | | 30250 | |
| | 1/2" | | 30251 | |
| | 3/4" | | 30252 | |
| | 1" | | 30253 | |
| | 1-1/4" | | 30254 | |
| | 1-1/2" | | 30255 | |
| | 1-3/4" | | 30256 | |
| | 2" | | 30257 | |
| 1/2" | 2-1/2" | | 30258 | |
| | 3" | | 30259 | |
| | 3-1/2" | | 30260 | |
| | 4" | | 30261 | |
| | 1/2" | | 30281 | |
| | 5/8" | | 30282 | |
| | 3/4" | | 30283 | |
| | 1" | | 30284 | |
| | 1-1/4" | | 30285 | |
| | 1-1/2" | | 30286 | |
| 5/8" | 2" | | 30287 | |
| | 2-1/2" | | 30288 | |
| | 3" | | 30289 | |
| | 3-1/2" | | 30290 | |
| | 4" | | 30291 | |
| | 4-1/2" | | 30292 | |
| | 5" | | 30293 | |
| | 6" | | 30294 | |
| | 5/8" | 5/8" | | 30310 |
| | 3/4" | 3/4" | | 30311 |
| 1" | 1" | | 30312 | |
| 3/4" | 3/4" | | 30330 | |
| | 1" | | 30331 | |
| | 1-1/4" | | 30332 | |
| | 1-1/2" | | 30333 | |
| | 2" | | 30334 | |
| | 1" | 1" | | 30360 |
| | 1-1/4" | | 30361 | |
| | 1-1/2" | | 30362 | |
| | 2" | | 30363 | |
| | 2-1/2" | | 30364 | |
| 1" | 3" | | 30365 | |
| | 3-1/2" | | 30366 | |
| | 4" | | 30367 | |

Distributed by
AJACS
1-800-968-6368

Standard Series Hose Clamps

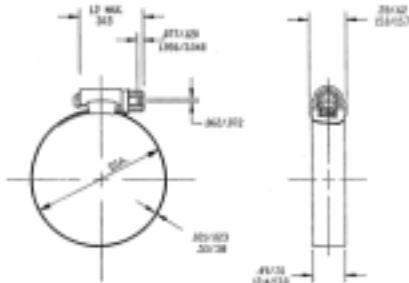


100% INTERLOCK CONSTRUCTION FEATURES:
One piece housing which directly locks into the band. Spot weld free design.



Engineered for Tough Installation

- Rounded edges to protect the hose
- Efficient three-piece construction
- No spot welds to corrode
- Easily installed with screwdriver, nut driver or socket wrench
- Screws feature deep slots for quick installation
- Meets or exceeds SAE torque specifications
- Sold in box quantities of 10
- Bulk quantities also available



B-H Series Partial Stainless

This clamp has a 1/2" stainless steel band with plated 5/16" slotted hex head screw and housing. It is recommended for most applications.

B-HS Series All Stainless

The 1/2" band and housing components are all stainless steel. The slotted 5/16" hex head screw is made from 400 series stainless steel. It is recommended for good corrosion resistance and extra strength.

B-HSP Series All 300 Series Stainless Steel

This high quality 300 series 1/2" band and housing is matched with a 300 series 5/16" slotted hex head screw. This clamp is highly corrosion resistant, well suited for marine applications and is low in magnetic permeability.

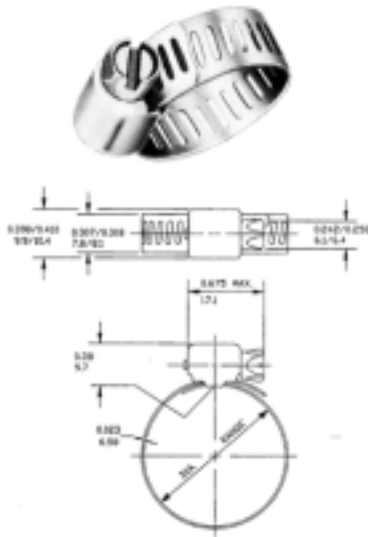
Standard Series Hose Clamps

| Clamp Diameter | | | | Std. Ctn. | Lbs. Per 100 Clamps | B-H Series Partial Stainless | | B-HS Series All Stainless | | B-HSP Series All 300 Series Stainless | |
|----------------|-----------|-------------|-------|-----------|---------------------|------------------------------|---------|---------------------------|---------|---------------------------------------|---------|
| Fraction | | Metric (mm) | | | | Clamp No. | UPC No. | Clamp No. | UPC No. | Clamp No. | UPC No. |
| Min. | Max. | Min. | Max. | | | | | | | | |
| 3/8" | 7/8" | 9.5 | 22.2 | 500 | 4 | B6H | 35125 | B6HS | 35130 | B6HSP | 35700 |
| 7/16" | 1" | 11.1 | 25.4 | 500 | 4 | B8H | 35155 | B8HS | 35160 | B8HSP | 35705 |
| 9/16" | 1-1/16" | 14.3 | 27.0 | 500 | 4 | B10H | 35185 | B10HS | 35190 | B10HSP | 35710 |
| 9/16" | 1-1/4" | 14.3 | 31.7 | 500 | 4 | B12H | 35215 | B12HS | 35220 | B12HSP | 35715 |
| 11/16" | 1-1/2" | 17.5 | 38.1 | 500 | 5 | B16H | 35245 | B16HS | 35250 | B16HSP | 35720 |
| 3/4" | 1-3/4" | 19.1 | 44.4 | 500 | 5 | B20H | 35275 | B20HS | 35280 | B20HSP | 35725 |
| 1-1/16" | 2" | 27.0 | 50.8 | 500 | 5 | B24H | 35305 | B24HS | 35310 | B24HSP | 35730 |
| 1-5/16" | 2-1/4" | 33.3 | 57.2 | 500 | 6 | B28H | 35325 | B28HS | 35330 | B28HSP | 35735 |
| 1-9/16" | 2-1/2" | 39.7 | 63.5 | 500 | 6 | B32H | 35345 | B32HS | 35350 | B32HSP | 35740 |
| 1-13/16" | 2-3/4" | 46.0 | 69.9 | 500 | 7 | B36H | 35365 | B36HS | 35370 | B36HSP | 35745 |
| 2-1/16" | 3" | 52.4 | 76.2 | 200 | 7 | B40H | 35385 | B40HS | 35390 | B40HSP | 35750 |
| 2-5/16" | 3-1/4" | 58.7 | 82.6 | 200 | 8 | B44H | 35405 | B44HS | 35410 | B44HSP | 35755 |
| 2-9/16" | 3-1/2" | 65.1 | 88.9 | 200 | 8 | B48H | 35425 | B48HS | 35430 | B48HSP | 35760 |
| 2-13/16" | 3-3/4" | 71.4 | 95.3 | 100 | 8 | B52H | 35445 | B52HS | 35450 | B52HSP | 35765 |
| 3-1/16" | 4" | 77.8 | 101.6 | 100 | 9 | B56H | 35465 | B56HS | 35470 | B56HSP | 35770 |
| 3-5/16" | 4-1/4" | 84.1 | 108.0 | 100 | 9 | B60H | 35485 | B60HS | 35490 | B60HSP | 35775 |
| 3-9/16" | 4-1/2" | 90.5 | 114.3 | 100 | 9 | B64H | 35505 | B64HS | 35510 | B64HSP | 35780 |
| 4-1/16" | 5" | 103.2 | 127.0 | 100 | 10 | B72H | 35525 | B72HS | 35530 | B72HSP | 35785 |
| 4-5/8" | 5-1/2" | 117.5 | 139.7 | 100 | 10 | B80H | 35545 | B80HS | 35550 | B80HSP | 35790 |
| 4-3/32" | 6" | 104.0 | 152.4 | 100 | 11 | B88H | 35565 | B88HS | 35570 | B88HSP | 35795 |
| 4-1/2" | 6-1/2" | 114.3 | 165.1 | 100 | 12 | B96H | 35585 | B96HS | 35590 | B96HSP | 35800 |
| 5" | 7" | 127.0 | 177.8 | 100 | 13 | B104H | 35605 | B104HS | 35610 | B104HSP | 35805 |
| 5-3/4" | 7-3/4" | 146.1 | 196.9 | 50 | 14 | B116H | 35625 | B116HS | 35630 | B116HSP | 35810 |
| 5-1/2" | 8-7/16" | 139.7 | 214.3 | 200 | 14 | - | - | - | - | B128HSP* | 35820 |
| 6-3/4" | 9-11/16" | 171.5 | 246.1 | 200 | 14 | - | - | - | - | B148HSP* | 35825 |
| 7" | 9-15/16" | 177.8 | 252.4 | 200 | 15 | - | - | - | - | B152HSP* | 35827 |
| 7-1/2" | 10-7/16" | 190.5 | 265.1 | 200 | 15 | - | - | - | - | B160HSP* | 35830 |
| 9-1/2" | 12-7/16" | 241.3 | 315.9 | 200 | 18 | - | - | - | - | B192HSP* | 35835 |
| 11-1/2" | 14-7/16" | 292.1 | 366.7 | 200 | 21 | - | - | - | - | B224HSP* | 35840 |
| 14" | 16-15/16" | 355.6 | 430.2 | 200 | 25 | - | - | - | - | B264HSP* | 35845 |

* 4-piece construction

Note: Additional sizes available on request.

Miniature Series Hose Clamps



Micro Seal® Miniature Hose Clamps

- Seven sizes – the widest selection in the industry
- Small enough to install in very tight places
- Strong enough to give a tight, lasting seal that won't shake loose
- Applications: hose and tubing, fuel lines, air lines, fluid lines, etc.
- Sold in box quantities of 10
- Bulk quantities also available

M-P Series Partial Stainless

The 5/16" band is made of a 300 series stainless steel, and the housing and 1/4" hex head screw are made from a plated carbon steel.

M-S Series All Stainless

The 5/16" band and housing are made of a 300 series stainless steel with a 400 series 1/4" hex head screw.

Micro Seal® Miniature Series Hose Clamps

| Clamp Diameter | | Std. Ctn. | Lbs. Per 100 Clamps | M-P Series Partial Stainless | | M-S Series All Stainless | |
|----------------|-------------|-----------|---------------------|------------------------------|---------|--------------------------|---------|
| Fraction | Metric (mm) | | | Clamp No. | UPC No. | Clamp No. | UPC No. |
| Min. | Max. | Min. | Max. | | | | |
| 7/32" | 5/8" | 500 | 15.9 | M4P | 33000 | M4S | 33010 |
| 5/16" | 7/8" | 500 | 22.2 | M6P | 33030 | M6S | 33040 |
| 7/16" | 1" | 500 | 25.4 | M8P | 33070 | M8S | 33080 |
| 1/2" | 1-1/16" | 500 | 27.0 | M10P | 33100 | M10S | 33110 |
| 9/16" | 1-1/4" | 500 | 31.8 | M12P | 33150 | M12S | 33160 |
| 11/16" | 1-1/2" | 500 | 38.1 | M16P | 33200 | M16S | 33210 |
| 7/8" | 1-3/4" | 500 | 44.5 | M20P | 33250 | M20S | 33260 |

Shielded/Lined Hose Clamps

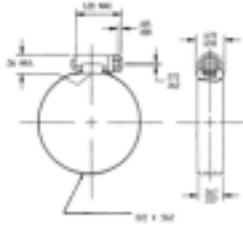


- Provides maximum protection for all soft hoses while ensuring a strong, positive seal
- Band, liner and housing are made from stainless steel
- Plated 5/16" slotted hex head screw
- Inner liner covers band serrations which prevents hose damage
- Sold in box quantities of 10

Shielded/Lined Hose Clamps

| Clamp Diameter | | Clamp No. | UPC No. |
|----------------|----------|-----------|---------|
| Min. | Max. | | |
| 5/8" | 3/4" | B6HL | 35126 |
| 5/8" | 13/16" | B8HL | 35156 |
| 3/4" | 15/16" | B10HL | 35186 |
| 3/4" | 1-1/8" | B12HL | 35216 |
| 13/16" | 1-3/8" | B16HL | 35246 |
| 1-1/8" | 1-5/8" | B20HL | 35276 |
| 1-3/16" | 1-15/16" | B24HL | 35306 |
| 1-5/16" | 2-1/4" | B28HL | 35326 |
| 1-9/16" | 2-1/2" | B32HL | 35346 |
| 1-13/16" | 2-3/4" | B36HL | 35366 |
| 2-1/16" | 3" | B40HL | 35386 |
| 2-5/16" | 3-1/4" | B44HL | 35406 |
| 2-9/16" | 3-1/2" | B48HL | 35426 |
| 2-13/16" | 3-3/4" | B52HL | 35446 |
| 3-1/16" | 4" | B56HL | 35466 |
| 3-5/16" | 4-1/4" | B60HL | 35486 |
| 3-9/16" | 4-1/2" | B64HL | 35506 |
| 4-1/16" | 5" | B72HL | 35526 |

9/16" Band – Heavy Duty 3-Piece Hose Clamps



- 9/16" band width offers greater sealing area
- One-piece, spot weld free housing
- Wide range of applications including automotive, plumbing, and heavy duty industrial

HD-H Series Partial Stainless

- 9/16" band & housing are 200/300 series stainless steel
- 5/16" zinc plated carbon steel hex head screw

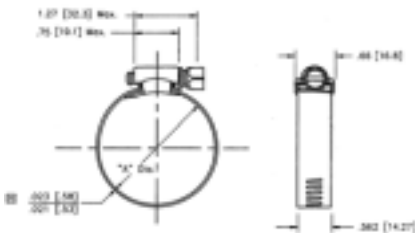
HD-S Series All 300 Stainless

- 9/16" band & housing are 300 series stainless steel
- 5/16" hex head screw is 300 series stainless steel

9/16" Band – Heavy Duty Hose Clamps

| Clamp Diameter | | | | Partial Stainless | | All Stainless | |
|----------------|---------|-------------|-------|-------------------|---------|---------------|---------|
| Fraction | | Metric (mm) | | Clamp No. | UPC No. | Clamp No. | UPC No. |
| Min. | Max. | Min. | Max. | | | | |
| 3/8" | 7/8" | 10.0 | 22.0 | – | – | HD6S | 47809 |
| 7/16" | 1" | 11.0 | 25.0 | – | – | HD8S | 47810 |
| 9/16" | 1-1/16" | 14.3 | 27.0 | HD10H | 47921 | HD10S | 47811 |
| 9/16" | 1-1/4" | 14.3 | 31.7 | HD12H | 47922 | HD12S | 47812 |
| 11/16" | 1-1/2" | 17.5 | 38.1 | HD16H | 47923 | HD16S | 47813 |
| 3/4" | 1-3/4" | 19.0 | 44.4 | HD20H | 47924 | HD20S | 47814 |
| 1-1/16" | 2" | 27.0 | 50.8 | HD24H | 47925 | HD24S | 47815 |
| 1-5/16" | 2-1/4" | 33.3 | 57.1 | HD28H | 47926 | HD28S | 47816 |
| 1-9/16" | 2-1/2" | 39.7 | 63.5 | HD32H | 47927 | HD32S | 47817 |
| 1-13/16" | 2-3/4" | 46.0 | 69.8 | HD36H | 47928 | HD36S | 47818 |
| 2-1/16" | 3" | 52.4 | 76.2 | HD40H | 47929 | HD40S | 47819 |
| 2-5/16" | 3-1/4" | 58.7 | 82.5 | HD44H | 47930 | HD44S | 47820 |
| 2-9/16" | 3-1/2" | 65.1 | 88.9 | HD48H | 47931 | HD48S | 47821 |
| 2-13/16" | 3-3/4" | 71.4 | 95.2 | HD52H | 47932 | HD52S | 47822 |
| 3-1/16" | 4" | 77.8 | 101.6 | HD56H | 47933 | HD56S | 47823 |
| 2-1/2" | 4-1/2" | 63.5 | 114.3 | HD64H | 47934 | HD64S | 47824 |
| 3" | 5" | 76.2 | 127.0 | HD72H | 47935 | HD72S | 47825 |
| 3-1/2" | 5-1/2" | 88.9 | 139.7 | HD80H | 47936 | HD80S | 47826 |
| 4" | 6" | 101.6 | 152.4 | HD88H | 47937 | HD88S | 47827 |
| 4-1/2" | 6-1/2" | 114.3 | 165.1 | HD96H | 47938 | HD96S | 47828 |
| 5" | 7" | 127.0 | 177.8 | HD104H | 47939 | HD104S | 47829 |

Collared Screw Hose Clamps

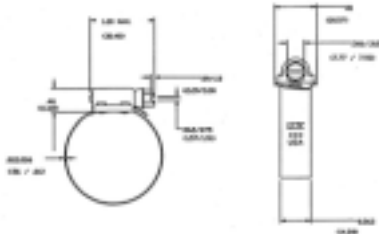


- 3/8" safety collared, hex-head screw eliminates danger of screw driver slipping and damaging the hose
- The combination collared and hex-head screw can be used with blade type and nut drivers as well as socket wrenches
- 9/16" band width offers greater sealing area
- 9/16" 300 series stainless steel band and housing
- 3/8" zinc plated carbon steel, collared, hex-head screw

Collared Screw Hose Clamps

| Clamp Diameter | | | | | |
|----------------|--------|-------------|------|-----------|---------|
| Fraction | | Metric (mm) | | Clamp No. | UPC No. |
| Min. | Max. | Min. | Max. | | |
| 3/8" | 7/8" | 10 | 22 | CS6H | 47941 |
| 7/16" | 1" | 11 | 25 | CS8H | 47942 |
| 1/2" | 1-1/8" | 13 | 28 | CS10H | 47943 |
| 1/2" | 1-1/4" | 13 | 32 | CS12H | 47944 |
| 3/4" | 1-1/2" | 19 | 38 | CS16H | 47945 |
| 3/4" | 1-3/4" | 19 | 44 | CS20H | 47946 |
| 1" | 2" | 26 | 50 | CS24H | 47947 |
| 1-5/16" | 2-1/4" | 34 | 57 | CS28H | 47948 |
| 1-9/16" | 2-1/2" | 40 | 64 | CS32H | 47949 |
| 7/8" | 2-3/4" | 23 | 70 | CS36H | 47950 |
| 1-1/8" | 3" | 29 | 76 | CS40H | 47951 |
| 1-5/16" | 3-1/4" | 34 | 82 | CS44H | 47952 |
| 1-5/8" | 3-1/2" | 42 | 90 | CS48H | 47953 |
| 1-7/8" | 3-3/4" | 48 | 95 | CS52H | 47954 |
| 2-1/8" | 4" | 54 | 100 | CS56H | 47955 |

9/16" Band – Heavy Duty 4-Piece Hose Clamps

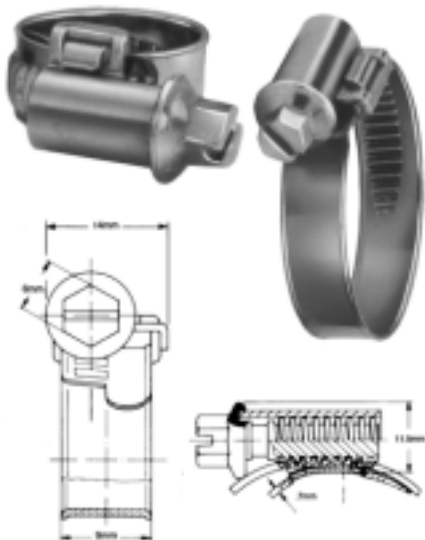


- 9/16" band width offers greater sealing area
- 5/16" slotted hex head screw
- 300 series stainless steel band, housing & screw
- Heavy duty, four-piece construction
- Two-piece, mechanical interlock housing
- Allows 80 inch pounds of torque
- Wide range of applications including marine, plumbing, agricultural and heavy duty industrial

9/16" Band – Heavy Duty Hose Clamps

| Clamp Diameter | | | | All Stainless | |
|----------------|-----------|-------------|------|---------------|---------|
| Fraction | | Metric (mm) | | Clamp No. | UPC No. |
| Min. | Max. | Min. | Max. | | |
| 7/16" | 7/8" | 11 | 22 | HD6SN | 47045 |
| 7/16" | 1" | 11 | 25 | HD8SN | 47046 |
| 1/2" | 1-1/8" | 13 | 29 | HD10SN | 47047 |
| 5/8" | 1-1/4" | 16 | 32 | HD12SN | 47048 |
| 3/4" | 1-1/2" | 19 | 38 | HD16SN | 47049 |
| 7/8" | 1-3/4" | 22 | 44 | HD20SN | 47050 |
| 1-1/8" | 1-15/16" | 29 | 49 | HD24SN | 47051 |
| 1-3/8" | 2-3/16" | 36 | 56 | HD28SN | 47052 |
| 1-5/8" | 2-7/16" | 42 | 62 | HD32SN | 47053 |
| 1-7/8" | 2-11/16" | 48 | 68 | HD36SN | 47054 |
| 2-1/8" | 2-15/16" | 55 | 75 | HD40SN | 47055 |
| 2-3/8" | 3-3/16" | 61 | 81 | HD44SN | 47056 |
| 2-9/16" | 3-7/16" | 40 | 87 | HD48SN | 47057 |
| 2-13/16" | 3-11/16" | 47 | 94 | HD52SN | 47058 |
| 2-1/16" | 4" | 53 | 101 | HD56SN | 47059 |
| 2-9/16" | 4-7/16" | 65 | 113 | HD64SN | 47060 |
| 3-1/16" | 4-15/16" | 78 | 125 | HD72SN | 47061 |
| 2-1/2" | 5-7/16" | 64 | 138 | HD80SN | 47062 |
| 3" | 5-15/16" | 77 | 151 | HD88SN | 47063 |
| 3-1/2" | 6-7/16" | 89 | 163 | HD96SN | 47064 |
| 4" | 6-15/16" | 102 | 176 | HD104SN | 47065 |
| 5-1/2" | 8-7/16" | 140 | 214 | B128HSP | 35820 |
| 6-3/4" | 9-11/16" | 171 | 246 | B148HSP | 35825 |
| 7" | 9-15/16" | 177 | 252 | B152HSP | 35827 |
| 7-1/2" | 10-7/16" | 190 | 265 | B160HSP | 35830 |
| 9-1/2" | 12-7/16" | 241 | 315 | B192HSP | 35835 |
| 11-1/2" | 14-7/16" | 292 | 366 | B224HSP | 35840 |
| 14" | 16-15/16" | 355 | 430 | B264HSP | 35845 |

Critical Connection Hose Clamps (Metric Smooth Band)



- Short housing saddle is weld free and keyed into the band
- The smooth form evens the pressure around the hose
- Pressed tooth form and rounded, raised band edges prevent damage to the hose
- More efficient sealing at lower torque
- Sold in box quantities of 10

Standard Series

- 9mm band & housing are 400 series stainless steel
- 6mm screw is zinc plated carbon

Miniature Series

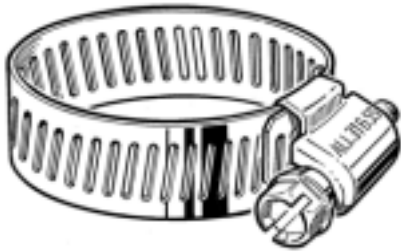
- Band and housing are stainless steel
- 5mm slotted hex head screw is zinc plated carbon

Standard Series Critical Connection Hose Clamps

| Clamp Diameter | | | | UPC No. |
|----------------|------|----------|---------|---------|
| Metric (mm) | | Fraction | | |
| Min. | Max. | Min. | Max. | |
| 12 | 18 | 1/2" | 11/16" | 47000* |
| 8 | 16 | 5/16" | 5/8" | 47070 |
| 12 | 20 | 1/2" | 3/4" | 47125 |
| 16 | 25 | 5/8" | 1-1/16" | 47155 |
| 16 | 27 | 5/8" | 1" | 47185 |
| 20 | 32 | 3/4" | 1-1/4" | 47215 |
| 25 | 40 | 1" | 1-5/8" | 47245 |
| 30 | 45 | 1-3/16" | 1-3/4" | 47275 |
| 32 | 50 | 1-1/4" | 2" | 47305 |
| 40 | 60 | 1-5/8" | 2-3/8" | 47325 |
| 50 | 70 | 2" | 2-3/4" | 47365 |

* Miniature Series band width is 7.5mm.

316 Stainless Steel Hose Clamps

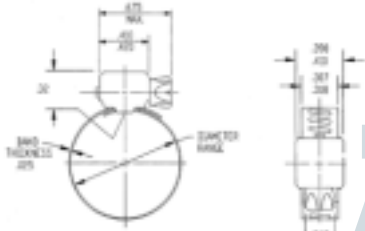


- Non-magnetic, all "316" grade stainless steel construction
- Used in highly corrosive and salt water environments

M-HSPX Series

316 Stainless Micro Clamp

- 5/16" 316 stainless steel band and housing
- 1/4" 316 stainless steel hex-head screw



316 Stainless Steel Micro Clamps

| Clamp Diameter | | | | Clamp No. | UPC No. |
|----------------|------|-------------|------|-----------|---------|
| Fraction | | Metric (mm) | | | |
| Min. | Max. | Min. | Max. | | |
| 7/32" | 5/8" | 5.6 | 15.9 | M4HSPX | 47841 |
| 5/16" | 7/8" | 7.9 | 22.2 | M6HSPX | 47842 |

B-HSPX Series

316 Stainless Clamp

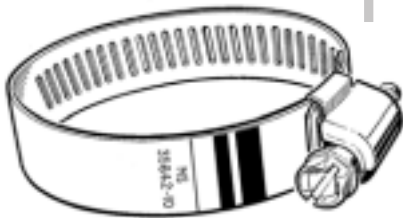
- 1/2" 316 stainless steel band and housing
- 5/16" 316 stainless steel hex-head screw



316 Stainless Steel Clamps

| Clamp Diameter | | | | Clamp No. | UPC No. |
|----------------|---------|-------------|------|-----------|---------|
| Fraction | | Metric (mm) | | | |
| Min. | Max. | Min. | Max. | | |
| 3/8" | 7/8" | 9 | 22 | B6HSPX | 47851 |
| 7/16" | 1" | 11 | 25 | B8HSPX | 47852 |
| 9/16" | 1-1/16" | 14 | 27 | B10HSPX | 47853 |
| 9/16" | 1-5/16" | 14 | 33 | B12HSPX | 47854 |
| 11/16" | 1-1/2" | 18 | 38 | B16HSPX | 47855 |
| 3/4" | 1-3/4" | 19 | 44 | B20HSPX | 47856 |
| 1-1/16" | 2" | 27 | 51 | B24HSPX | 47857 |
| 1-5/16" | 2-1/4" | 33 | 57 | B28HSPX | 47858 |
| 1-9/16" | 2-1/2" | 40 | 64 | B32HSPX | 47859 |
| 1-13/16" | 2-3/4" | 46 | 70 | B36HSPX | 47860 |
| 2-1/16" | 3" | 52 | 76 | B40HSPX | 47861 |
| 2-5/16" | 3-1/4" | 59 | 83 | B44HSPX | 47862 |
| 2-9/16" | 3-1/2" | 65 | 89 | B48HSPX | 47863 |
| 2-13/16" | 3-3/4" | 71 | 95 | B52HSPX | 47864 |
| 3-9/16" | 4-1/2" | 91 | 114 | B64HSPX | 47865 |
| 4-1/16" | 5" | 103 | 127 | B72HSPX | 47866 |
| 4-5/8" | 5-1/2" | 118 | 140 | B80HSPX | 47867 |
| 4-3/32" | 6" | 104 | 152 | B88HSPX | 47868 |
| 4-1/2" | 6-1/2" | 114 | 165 | B96HSPX | 47869 |
| 5" | 7" | 127 | 178 | B104HSPX | 47870 |

All Stainless Military Hose Clamps



- Manufactured to military standard A-A-52506-B for low pressure type "F" clamps and Federal Specification WW-C-440B
- One-piece, spot weld free housing
- 1/2" 300 series stainless steel band and housing
- 5/16" 300 series stainless steel hex head screw

All Stainless Military Hose Clamps

| Clamp Diameter | | | | Military Std. No. | UPC No. | Clamp No. |
|----------------|--------|-------------|-------|-------------------|---------|-----------|
| Fraction | | Metric (mm) | | | | |
| Min. | Max. | Min. | Max. | | | |
| 3/8" | 7/8" | 9.5 | 22.2 | MS 35842-10 | 47831 | MS6SS |
| 9/16" | 1-1/4" | 14.3 | 31.7 | MS 35842-11 | 47832 | MS12SS |
| 1-1/16" | 2" | 27.0 | 50.8 | MS 35842-12 | 47833 | MS24SS |
| 1-13/16" | 2-3/4" | 46.0 | 69.8 | MS 35842-13 | 47834 | MS36SS |
| 2-9/16" | 3-1/2" | 65.1 | 88.9 | MS 35842-14 | 47835 | MS48SS |
| 3-5/16" | 4-1/4" | 84.1 | 107.9 | MS 35842-15 | 47836 | MS60SS |
| 4-1/8" | 7" | 104.8 | 177.8 | MS 35842-16 | 47837 | MS104SS |

Quick Release Hose Clamps



- The swivel action design of the screw allows for fast and easy adjustments
- These clamps are critical in closed areas where a clamp must be disengaged for installation and removal

QR-H Series - Partial Stainless

- 1/2" 300 series stainless steel band and housing
- 5/16" zinc plated hex head screw
- 400 series stainless steel bridge

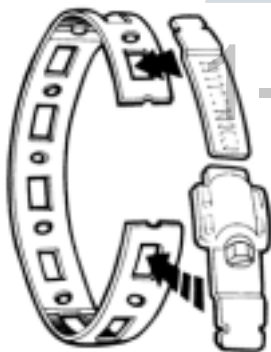
QR-HS Series - All Stainless

- 1/2" 300 series stainless steel band and housing
- 5/16" 400 series stainless steel hex head screw
- 400 series stainless steel bridge

Quick Release Hose Clamps

| Clamp Diameter | | | | Partial Stainless | | All Stainless | |
|----------------|----------|-------------|-------|-------------------|---------|---------------|---------|
| Fraction | | Metric (mm) | | Clamp No. | UPC No. | Clamp No. | UPC No. |
| Min. | Max. | Min. | Max. | | | | |
| 1/2" | 1-1/4" | 12.7 | 31.8 | QR12H | 47901 | QR12HS | 47881 |
| 3/4" | 1-3/4" | 19.1 | 44.4 | QR20H | 47902 | QR20HS | 47882 |
| 1-1/16" | 2" | 27.0 | 50.8 | - | - | QR24HS | 47883 |
| 1" | 2-1/4" | 25.4 | 57.1 | QR28H | 47903 | QR28HS | 47884 |
| 1-1/2" | 3-1/2" | 38.1 | 88.9 | QR48H | 47904 | QR48HS | 47885 |
| 1" | 4" | 25.4 | 101.6 | QR56H | 47905 | QR56HS | 47886 |
| 2" | 5" | 50.8 | 127.0 | QR72H | 47906 | QR72HS | 47887 |
| 2-1/16" | 6" | 52.4 | 152.4 | QR88H | 47907 | QR88HS | 47888 |
| 3-1/2" | 6-9/16" | 88.9 | 166.7 | - | - | QR96HS | 47889 |
| 1-3/4" | 7" | 44.4 | 177.8 | QR104H | 47908 | QR104HS | 47890 |
| 1-3/4" | 8-9/16" | 44.4 | 217.5 | QR128H | 47910 | QR128HS | 47891 |
| 2" | 10" | 50.8 | 254.0 | QR152H | 47911 | QR152HS | 47892 |
| 2-1/16" | 12-5/16" | 52.4 | 312.7 | QR188H | 47912 | QR188HS | 47893 |
| 10-3/16" | 14" | 258.8 | 355.6 | - | - | QR216HS | 47894 |
| 1-3/4" | 16" | 44.4 | 406.4 | - | - | QR248HS | 47895 |
| 14-1/4" | 18" | 361.9 | 457.2 | - | - | QR280HS | 47896 |
| 1-7/8" | 20" | 48.0 | 508.0 | - | - | QR312HS | 47897 |

Create-A-Clamp



- A quick, easy way to solve almost any clamping problem
- Allows you to economically mount, secure or position as you would with ordinary worm drive clamps in a maintenance environment
- Made of a 300 series stainless steel band, housing and adjustable splices
- The 5/16" hex head screw is made of a 400 series stainless steel

Create-A-Clamp

| Each Box Contains: | UPC No. |
|--|---------|
| Complete set including: 50 ft. of 1/2" Wide Banding 20 Fasteners 10 Splices | 41500 |
| Complete set including: 50 ft. of 1/2" Wide Banding 50 Fasteners 10 Splices | 41600 |
| Banding only - 50 ft. | 41100 |
| Splices only - 10 pieces | 41610 |
| Fasteners only - 20 pieces | 41620 |

Threaded Rod

- PRECISION BRAND Threaded Rod is made from high quality low carbon steel
- Stainless Steel, high strength B-7 Alloy and Left Hand Threaded Rod are also available
- National Coarse (NC) or National Fine (NF) threads
- Threads are rolled under high pressure for greater strength
- Available in plain oil finish and electro zinc plated
- Other materials, sizes, lengths and special threading available on special order

Plain Oil Finish/National Coarse Threads

Electro Zinc Plated/National Coarse Threads

| Size | Wgt. Per 100 Ft. | 2 ft. * | | 3 ft. | | 6 ft. | | 10 ft. | | 12 ft. | | 2 ft. * | | 3 ft. | | 6 ft. | | 10 ft. | | 12 ft. | |
|---------|------------------|---------|-----------|---------|-----------|---------|-----------|---------|-----------|---------|-----------|---------|-----------|---------|-----------|---------|-----------|---------|-----------|---------|-----------|
| | | UPC No. | Pkg. Qty. | UPC No. | Pkg. Qty. | UPC No. | Pkg. Qty. | UPC No. | Pkg. Qty. | UPC No. | Pkg. Qty. | UPC No. | Pkg. Qty. | UPC No. | Pkg. Qty. | UPC No. | Pkg. Qty. | UPC No. | Pkg. Qty. | UPC No. | Pkg. Qty. |
| 4-40 | 2.3 | 27102 | | 27104 | 10 | - | - | - | - | - | - | - | 37106 | 10 | - | - | - | - | - | - | |
| 5-40 | 3.3 | 27106 | | 27108 | 10 | - | - | - | - | - | - | - | 37110 | 10 | - | - | - | - | - | - | |
| 6-32 | 3.7 | 27110 | | 27114 | 10 | 27118 | 1 | - | - | - | - | 37112 | 37116 | 10 | - | - | - | - | - | | |
| 8-32 | 5.3 | 27120 | | 27124 | 10 | 27128 | 1 | - | - | - | - | 37122 | 37126 | 10 | - | - | - | - | - | | |
| 10-24 | 7.0 | 27130 | | 27134 | 10 | 27138 | 1 | - | - | - | - | 37132 | 37136 | 10 | - | - | - | - | - | | |
| 12-24 | 9.6 | 27152 | | 27156 | 10 | 27160 | 1 | - | - | - | - | 37154 | 37158 | 10 | - | - | - | - | - | | |
| 1/4-20 | 12.6 | 27162 | | 27166 | 5 | 27170 | 50 | 27174 | 50 | 27178 | 50 | 37164 | 37168 | 5 | 37172 | 50 | 37176 | 50 | 37180 | 50 | |
| 5/16-18 | 19.6 | 27194 | | 27198 | 5 | 27202 | 30 | 27206 | 30 | 27210 | 30 | 37196 | 37200 | 5 | 37204 | 30 | 37208 | 30 | 37212 | 30 | |
| 3/8-16 | 28.6 | 27226 | | 27230 | 5 | 27234 | 25 | 27238 | 25 | 27242 | 25 | 37228 | 37232 | 5 | 37236 | 25 | 37240 | 25 | 37244 | 25 | |
| 7/16-14 | 40.0 | 27258 | | 27262 | 5 | 27266 | 18 | 27270 | 18 | 27274 | 18 | 37260 | 37264 | 5 | 37268 | 18 | 37272 | 18 | 37276 | 18 | |
| 1/2-13 | 53.0 | 27290 | | 27294 | 5 | 27298 | 14 | 27302 | 14 | 27306 | 14 | 37292 | 37296 | 5 | 37300 | 14 | 37304 | 14 | 37308 | 14 | |
| 9/16-12 | 67.0 | 27322 | | 27326 | 3 | 27330 | 12 | - | - | 27334 | 12 | 37324 | 37328 | 3 | 37332 | 12 | - | - | 37336 | 12 | |
| 5/8-11 | 84.0 | 27350 | | 27354 | 3 | 27358 | 8 | 27362 | 8 | 27366 | 8 | 37352 | 37356 | 3 | 37360 | 8 | 37364 | 8 | 37368 | 8 | |
| 3/4-10 | 123.0 | 27382 | | 27386 | 3 | 27390 | 5 | 27394 | 5 | 27398 | 5 | 37384 | 37388 | 3 | 37392 | 5 | 37396 | 5 | 37400 | 5 | |
| 7/8-9 | 170.0 | 27414 | | 27418 | 3 | 27422 | 4 | 27424 | 4 | 27426 | 4 | 37416 | 37420 | 3 | 37424 | 4 | 37426 | 4 | 37428 | 4 | |
| 1-8 | 225.0 | 27442 | | 27446 | 3 | 27450 | 3 | 27456 | 3 | 27454 | 3 | 37444 | 37448 | 3 | 37452 | 3 | 37458 | 3 | 37456 | 3 | |
| 1-1/8-7 | 280.0 | 27470 | | 27474 | 1 | 27478 | 1 | - | - | 27482 | 1 | 37472 | 37476 | 1 | 37480 | 1 | - | - | 37484 | 1 | |
| 1-1/4-7 | 350.0 | 27494 | | 27498 | 1 | 27502 | 1 | - | - | 27506 | 1 | 37496 | 37500 | 1 | 37504 | 1 | - | - | 37508 | 1 | |
| 1-3/8-6 | 450.0 | 27518 | | 27522 | 1 | 27526 | 1 | - | - | 27530 | 1 | 37520 | 37524 | 1 | 37528 | 1 | - | - | 37532 | 1 | |
| 1-1/2-6 | 510.0 | 27542 | | 27546 | 1 | 27550 | 1 | - | - | 27554 | 1 | 37544 | 37548 | 1 | 37552 | 1 | - | - | 37556 | 1 | |
| 1-3/4-5 | 700.0 | 27566 | | 27570 | 1 | 27574 | 1 | - | - | 27578 | 1 | 37568 | 37572 | 1 | 37576 | 1 | - | - | 37580 | 1 | |
| 2-4-1/2 | 920.0 | 27582 | | 27586 | 1 | 27590 | 1 | - | - | 27594 | 1 | 37584 | 37588 | 1 | 37592 | 1 | - | - | 37596 | 1 | |

National Fine Threaded Rod

| Size | Wgt. Per 100 Ft. | Plain Oil Finish | | | | Zinc Plated | | |
|----------|------------------|------------------|---------------|---------|---------|-------------|---------------|---------|
| | | 2 Ft. * | 3 Ft. | | 6 Ft. * | 12 Ft. * | 3 Ft. | |
| | | UPC No. | Pcs. Per Tube | UPC No. | UPC No. | UPC No. | Pcs. Per Tube | UPC No. |
| 10-32 | 7.3 | 27142 | 10 | 27146 | 27150 | - | 10 | 37148 |
| 1/4-28 | 13.6 | 27182 | 5 | 27186 | 27190 | 27192 | 5 | 37188 |
| 5/16-24 | 22.0 | 27214 | 5 | 27218 | 27222 | 27224 | 5 | 37220 |
| 3/8-24 | 32.0 | 27246 | 5 | 27250 | 27254 | 27256 | 5 | 37252 |
| 7/16-20 | 43.0 | 27278 | 5 | 27282 | 27286 | 27288 | 5 | 37284 |
| 1/2-20 | 57.0 | 27310 | 5 | 27314 | 27318 | 27320 | 5 | 37316 |
| 9/16-18 | 73.0 | 27338 | 3 | 27342 | 27346 | 27348 | 3 | 37344 |
| 5/8-18 | 91.0 | 27370 | 3 | 27374 | 27378 | 27380 | 3 | 37376 |
| 3/4-16 | 133.0 | 27402 | 3 | 27406 | 27410 | 27412 | 3 | 37408 |
| 7/8-14 | 182.0 | 27430 | 3 | 27434 | 27438 | 27440 | 3 | 37436 |
| 1-14 | 242.0 | 27458 | 3 | 27462 | 27466 | 27468 | 3 | 37464 |
| 1-1/8-12 | 300.0 | 27486 | 1 | 27488 | 27490 | 27492 | - | - |
| 1-1/4-12 | 350.0 | 27510 | 1 | 27512 | 27514 | 27516 | - | - |
| 1-3/8-12 | 450.0 | 27534 | 1 | 27536 | 27538 | 27540 | - | - |
| 1-1/2-12 | 550.0 | 27558 | 1 | 27560 | 27562 | 27564 | - | - |

* Sold by the individual piece.



Alloy & Specialty Threaded Rod**

| Size | Feet Lgth. | Stainless Type 304 UPC No. | B-7 ASTM-193 Gold Zinc Dichromate UPC No. | Left Hand Plain Oil Finish UPC No. | Size | Feet Lgth. | Stainless Type 304 UPC No. | B-7 ASTM-193 Gold Zinc Dichromate UPC No. | Left Hand Plain Oil Finish UPC No. |
|-----------|------------|----------------------------|---|------------------------------------|------------|------------|----------------------------|---|------------------------------------|
| 6 – 32 | 3 | 59302 | – | – | 9/16 – 12 | 3 | – | 60327 | – |
| 8 – 32 | 3 | 59304 | – | – | 5/8 – 11 | 3 | 59330 | 60331 | 61330 |
| 10 – 24 | 3 | 59308 | – | – | 5/8 – 11 | 6 | 59331 | 60356* | – |
| 10 – 32 | 3 | 59306 | – | – | 5/8 – 11 | 12 | 59230 | – | – |
| 1/4 – 20 | 3 | 59310 | 60312 | 61310 | 5/8 – 18 | 3 | 59332 | 60431 | – |
| 1/4 – 20 | 6 | 59311 | 60351* | – | 5/8 – 18 | 6 | 59333 | 60365* | – |
| 1/4 – 20 | 12 | 59210 | – | – | 3/4 – 10 | 3 | 59334 | 60336 | 61334 |
| 1/4 – 28 | 3 | 59312 | 60412 | – | 3/4 – 10 | 6 | 59335 | 60357* | – |
| 1/4 – 28 | 6 | 59313 | 60360* | – | 3/4 – 10 | 12 | 59234 | – | – |
| 5/16 – 18 | 3 | 59314 | 60316 | 61314 | 3/4 – 16 | 3 | 59336 | 60436 | – |
| 5/16 – 18 | 6 | 59315 | 60352* | – | 3/4 – 16 | 6 | 59337 | 60366* | – |
| 5/16 – 18 | 12 | 59214 | – | – | 7/8 – 9 | 3 | 59338 | 60340 | 61338 |
| 5/16 – 24 | 3 | 59316 | 60416 | – | 7/8 – 9 | 6 | 59339 | 60358* | – |
| 5/16 – 24 | 6 | 59317 | 60361* | – | 7/8 – 14 | 3 | 59340 | 60440 | – |
| 3/8 – 16 | 3 | 59318 | 60319 | 61318 | 7/8 – 14 | 6 | 59341 | 60367* | – |
| 3/8 – 16 | 6 | 59319 | 60353* | – | 1 – 8 | 3 | 59342 | 60344 | 61342 |
| 3/8 – 16 | 12 | 59218 | – | – | 1 – 8 | 6 | 59343 | 60359* | – |
| 3/8 – 24 | 3 | 59320 | 60419 | 61319 | 1 – 8 | 12 | 59242 | – | – |
| 3/8 – 24 | 6 | 59321 | 60362* | – | 1 – 14 | 3 | 59344 | 60444 | – |
| 7/16 – 14 | 3 | 59322 | 60322 | 61322 | 1 – 14 | 6 | 59345 | 60368* | – |
| 7/16 – 14 | 6 | 59323 | 60354* | – | 1-1/8 – 7 | 3 | – | 60397 | – |
| 7/16 – 20 | 3 | 59324 | 60422 | – | 1-1/8 – 8 | 3 | – | 60381 | – |
| 7/16 – 20 | 6 | 59325 | 60363* | – | 1-1/8 – 12 | 3 | – | 60481 | – |
| 1/2 – 13 | 3 | 59326 | 60325 | 61326 | 1-1/4 – 7 | 3 | – | 60383 | – |
| 1/2 – 13 | 6 | 59327 | 60355* | – | 1-1/4 – 8 | 3 | – | 60385 | – |
| 1/2 – 13 | 12 | 59226 | – | – | 1-1/4 – 12 | 3 | – | 60485 | – |
| 1/2 – 20 | 3 | 59328 | 60425 | 61328 | 1-1/2 – 6 | 3 | – | 60387 | – |
| 1/2 – 20 | 6 | 59329 | 60364* | – | 1-1/2 – 8 | 3 | – | 60389 | – |

* Plain Finish

** Specialty rod sold by the piece.

Metric Threaded Rod



- PRECISION BRAND Metric Threaded Rod is made from a low carbon steel
- Sold by the individual piece

Metric Threaded Rod

| Size | Pitch | 1 Meter Lengths Zinc Plated UPC No. | 1 Meter Lengths Plain Oil Finish UPC No. | 3 Meter Lengths Plain Oil Finish UPC No. | Lb. Wgt. Per Meter |
|------|-------|---|---|---|-----------------------------|
| M5 | .80 | 79500 | 79100 | 79200 | .26 |
| M6 | 1.00 | 79505 | 79105 | 79205 | .36 |
| M8 | 1.25 | 79510 | 79110 | 79210 | .70 |
| M10 | 1.50 | 79515 | 79115 | 79215 | 1.04 |
| M12 | 1.75 | 79520 | 79120 | 79220 | 1.57 |
| M14 | 2.00 | 79525 | 79125 | 79225 | 2.19 |
| M16 | 2.00 | 79530 | 79130 | 79230 | 2.95 |
| M20 | 2.50 | 79535 | 79135 | 79235 | 4.55 |

Coupling Nuts



Coupling Nuts

| Size | UPC No. | Pcs. Per Box | Width Across Flats | Length | Pkg. Lb. Wgt. |
|---------|---------|-----------------|-----------------------|--------|------------------|
| 1/4-20 | 52110 | 50 | 3/8" | 7/8" | .98 |
| 5/16-18 | 52115 | 30 | 5/8" | 1-3/4" | 3.39 |
| 3/8-16 | 52120 | 30 | 5/8" | 1-3/4" | 3.58 |
| 1/2-13 | 52130 | 30 | 11/16" | 1-3/4" | 3.82 |
| 5/8-11 | 52135 | 20 | 13/16" | 2-1/8" | 3.04 |
| 3/4-10 | 52140 | 20 | 1" | 2-1/4" | 5.87 |
| 7/8-9 | 52145 | 10 | 1-1/4" | 2-1/2" | 5.91 |
| 1-8 | 52150 | 10 | 1-3/8" | 2-3/4" | 7.30 |

- Made of high quality low carbon steel
- Electro zinc plated for long shelf life
- Corrosion resistant
- Standard hex NC thread size
- Nuts have extended length for joining two pieces of rod firmly together
- Bulk, NF and other NC size nuts also available



- PRECISION BRAND Drill Rod rounds are made of annealed, ground and polished, general purpose tool steel
- Used for punches, tools and dies, drills, taps, arbors, roller bearings, dowel pins and a variety of machine parts where high strength and long life are required
- Excellent finish, strength and machinability makes drill rod ideally suited for power drive shafts and applications where accuracy and straightness are required
- Stocked in 3 feet lengths
- Available in Water Hardening (W-1) and Oil Hardening (O-1) grades
- Other grades and sizes, including metric are available on special order

Water Hardening/W-1

Color Coded with red ends

- Made from a 1095 steel
- Most popular type
- Most versatile and least expensive
- Tough hardening quality affords optimum response to heat treatment and provides toughness and maximum wear resistance in service
- High carbon content allows it to be used without heat treatment for many maintenance applications
- Fine-grained, electric furnace melt, commercial grade tool steel

Oil Hardening/O-1

Color Coded with yellow ends

- Made from a 1085 steel
- Electric furnace melt tool steel
- Non-shrinking, general-purpose tool steel
- Excellent toughness and machinability characteristics

Hardness Before Tempering (Both W-1 & O-1)

| Decimal Diameter | RB | BHN |
|------------------|-----|-----|
| .063 – .124 | 110 | 341 |
| .125 – .249 | 104 | 275 |
| .250 – .875 | 101 | 241 |
| .876 – 2.00 | 96 | 207 |

W-1 Tempering Data

| Temperature °F | RC |
|----------------|---------|
| As Quenched | 66 – 68 |
| 300 | 64 – 65 |
| 400 | 62 – 64 |
| 500 | 58 – 59 |
| 600 | 54 – 56 |
| 700 | 50 – 51 |
| 800 | 46 – 47 |

O-1 Tempering Data

| Temperature °F | RC |
|----------------|---------|
| As Quenched | 63 – 65 |
| 300 | 63 – 65 |
| 400 | 61 – 64 |
| 500 | 60 – 63 |
| 600 | 57 – 60 |
| 800 | 48 – 51 |
| 1,000 | 44 – 48 |



Distributed by
AJACS
1-800-968-6868

Drill Rod

3 Feet Length Drill Rod

| Size | Diameter | | Wgt. Per Piece | W-1 Water Hardening UPC No. | O-1 Oil Hardening UPC No. |
|--------|----------|-------------|----------------|-----------------------------|---------------------------|
| | Decimal | Metric (mm) | | | |
| NO. 52 | .063 | 1.600 | .033 | 18162 | 28162 |
| NO. 51 | .066 | 1.676 | .036 | 18161 | 28161 |
| NO. 50 | .069 | 1.753 | .039 | 18160 | 28160 |
| NO. 49 | .072 | 1.829 | .042 | 18159 | 28159 |
| NO. 48 | .075 | 1.905 | .045 | 18158 | 28158 |
| NO. 47 | .077 | 1.956 | .048 | 18157 | 28157 |
| NO. 46 | .079 | 2.007 | .051 | 18155 | 28155 |
| NO. 45 | .081 | 2.057 | .054 | 18154 | 28154 |
| NO. 44 | .085 | 2.159 | .057 | 18153 | 28153 |
| NO. 43 | .088 | 2.235 | .063 | 18152 | 28152 |
| NO. 42 | .092 | 2.337 | .069 | 18151 | 28151 |
| NO. 41 | .095 | 2.413 | .072 | 18149 | 28149 |
| NO. 40 | .097 | 2.464 | .075 | 18148 | 28148 |
| NO. 39 | .099 | 2.515 | .078 | 18147 | 28147 |
| NO. 38 | .101 | 2.565 | .084 | 18146 | 28146 |
| NO. 37 | .103 | 2.616 | .087 | 18145 | 28145 |
| NO. 36 | .106 | 2.692 | .090 | 18144 | 28144 |
| NO. 35 | .108 | 2.743 | .093 | 18143 | 28143 |
| NO. 34 | .110 | 2.794 | .096 | 18141 | 28141 |
| NO. 33 | .112 | 2.845 | .102 | 18140 | 28140 |
| NO. 32 | .115 | 2.921 | .108 | 18139 | 28139 |
| NO. 31 | .120 | 3.048 | .117 | 18138 | 28138 |
| NO. 30 | .127 | 3.226 | .129 | 18136 | 28136 |
| NO. 29 | .134 | 3.404 | .144 | 18135 | 28135 |
| NO. 28 | .139 | 3.531 | .156 | 18134 | 28134 |
| NO. 27 | .143 | 3.632 | .165 | 18132 | 28132 |
| NO. 26 | .146 | 3.708 | .171 | 18131 | 28131 |
| NO. 25 | .148 | 3.759 | .177 | 18130 | 28130 |
| NO. 24 | .151 | 3.835 | .183 | 18129 | 28129 |
| NO. 23 | .153 | 3.886 | .189 | 18128 | 28128 |
| NO. 22 | .155 | 3.937 | .195 | 18127 | 28127 |
| NO. 21 | .157 | 3.988 | .198 | 18125 | 28125 |
| NO. 20 | .161 | 4.089 | .207 | 18124 | 28124 |
| NO. 19 | .164 | 4.166 | .216 | 18123 | 28123 |
| NO. 18 | .168 | 4.267 | .228 | 18122 | 28122 |
| NO. 17 | .172 | 4.369 | .237 | 18120 | 28120 |
| NO. 16 | .175 | 4.445 | .246 | 18119 | 28119 |
| NO. 15 | .178 | 4.521 | .255 | 18118 | 28118 |
| NO. 14 | .180 | 4.572 | .261 | 18117 | 28117 |
| NO. 13 | .182 | 4.623 | .267 | 18116 | 28116 |
| NO. 12 | .185 | 4.699 | .276 | 18115 | 28115 |
| NO. 11 | .188 | 4.775 | .282 | 18113 | 28113 |
| NO. 10 | .191 | 4.851 | .288 | 18112 | 28112 |
| NO. 9 | .194 | 4.928 | .297 | 18111 | 28111 |

3 Feet Length Drill Rod

| Size | Diameter | | Wgt. Per Piece | W-1 Water Hardening UPC No. | O-1 Oil Hardening UPC No. |
|-------|----------|-------------|----------------|-----------------------------|---------------------------|
| | Decimal | Metric (mm) | | | |
| NO. 8 | .197 | 5.004 | .312 | 18110 | 28110 |
| NO. 7 | .199 | 5.055 | .318 | 18109 | 28109 |
| NO. 6 | .201 | 5.105 | .321 | 18108 | 28108 |
| NO. 5 | .204 | 5.182 | .327 | 18106 | 28106 |
| NO. 4 | .207 | 5.258 | .345 | 18105 | 28105 |
| NO. 3 | .212 | 5.385 | .363 | 18104 | 28104 |
| NO. 2 | .219 | 5.563 | .387 | 18102 | 28102 |
| NO. 1 | .227 | 5.766 | .414 | 18101 | 28101 |
| A | .234 | 5.944 | .441 | 18100 | 28100 |
| B | .238 | 6.045 | .450 | 18098 | 28098 |
| C | .242 | 6.147 | .462 | 18097 | 28097 |
| D | .246 | 6.248 | .483 | 18096 | 28096 |
| E | .250 | 6.350 | .501 | 18094 | 28094 |
| F | .257 | 6.528 | .522 | 18093 | 28093 |
| G | .261 | 6.629 | .543 | 18092 | 28092 |
| H | .266 | 6.756 | .564 | 18090 | 28090 |
| I | .272 | 6.909 | .594 | 18089 | 28089 |
| J | .277 | 7.036 | .615 | 18088 | 28088 |
| K | .281 | 7.137 | .636 | 18087 | 28087 |
| L | .290 | 7.366 | .675 | 18085 | 28085 |
| M | .295 | 7.493 | .699 | 18084 | 28084 |
| N | .302 | 7.671 | .726 | 18082 | 28082 |
| O | .316 | 8.026 | .813 | 18080 | 28080 |
| P | .323 | 8.204 | .831 | 18079 | 28079 |
| Q | .332 | 8.433 | .882 | 18077 | 28077 |
| R | .339 | 8.611 | .924 | 18076 | 28076 |
| S | .348 | 8.839 | .975 | 18074 | 28074 |
| T | .358 | 9.093 | 1.026 | 18073 | 28073 |
| U | .368 | 9.347 | 1.086 | 18071 | 28071 |
| V | .377 | 9.576 | 1.149 | 18069 | 28069 |
| W | .386 | 9.804 | 1.200 | 18068 | 28068 |
| X | .397 | 10.084 | 1.263 | 18066 | 28066 |
| Y | .404 | 10.262 | 1.281 | 18065 | 28065 |
| Z | .413 | 10.490 | 1.374 | 18063 | 28063 |
| 1/16 | .0625 | 1.588 | .030 | 18163 | 28163 |
| 5/64 | .0781 | 1.984 | .051 | 18156 | 28156 |
| 3/32 | .0938 | 2.381 | .069 | 18150 | 28150 |
| 7/64 | .1094 | 2.778 | .093 | 18142 | 28142 |
| 1/8 | .1250 | 3.175 | .126 | 18137 | 28137 |
| 9/64 | .1406 | 3.572 | .156 | 18133 | 28133 |
| 5/32 | .1563 | 3.969 | .198 | 18126 | 28126 |
| 11/64 | .1719 | 4.366 | .234 | 18121 | 28121 |
| 3/16 | .1875 | 4.763 | .282 | 18114 | 28114 |
| 13/64 | .2031 | 5.159 | .327 | 18107 | 28107 |

3 Feet Length Drill Rod

| Size | Diameter | | Wgt. Per Piece | W-1 Water Hardening UPC No. | O-1 Oil Hardening UPC No. |
|-------|----------|-------------|----------------|-----------------------------|---------------------------|
| | Decimal | Metric (mm) | | | |
| 7/32 | .2188 | 5.556 | .387 | 18103 | 28103 |
| 15/64 | .2344 | 5.953 | .441 | 18099 | 28099 |
| 1/4 | .2500 | 6.350 | .501 | 18095 | 28095 |
| 17/64 | .2656 | 6.747 | .561 | 18091 | 28091 |
| 9/32 | .2813 | 7.144 | .639 | 18086 | 28086 |
| 19/64 | .2969 | 7.541 | .702 | 18083 | 28083 |
| 5/16 | .3125 | 7.938 | .780 | 18081 | 28081 |
| 21/64 | .3281 | 8.334 | .861 | 18078 | 28078 |
| 11/32 | .3438 | 8.731 | .939 | 18075 | 28075 |
| 23/64 | .3594 | 9.128 | 1.032 | 18072 | 28072 |
| 3/8 | .3750 | 9.525 | 1.125 | 18070 | 28070 |
| 25/64 | .3906 | 9.922 | 1.221 | 18067 | 28067 |
| 13/32 | .4063 | 10.319 | 1.311 | 18064 | 28064 |
| 27/64 | .4219 | 10.716 | 1.416 | 18062 | 28062 |
| 7/16 | .4375 | 11.113 | 1.530 | 18061 | 28061 |
| 29/64 | .4531 | 11.509 | 1.626 | 18060 | 28060 |
| 15/32 | .4688 | 11.906 | 1.749 | 18059 | 28059 |
| 31/64 | .4844 | 12.303 | 1.875 | 18058 | 28058 |
| 1/2 | .5000 | 12.700 | 2.000 | 18057 | 28057 |
| 33/64 | .5156 | 13.097 | 2.130 | 18056 | 28056 |
| 17/32 | .5313 | 13.494 | 2.250 | 18055 | 28055 |
| 35/64 | .5469 | 13.891 | 2.390 | 18054 | 28054 |
| 9/16 | .5625 | 14.288 | 2.530 | 18053 | 28053 |
| 37/64 | .5781 | 14.684 | 2.670 | 18052 | 28052 |
| 19/32 | .5938 | 15.081 | 2.810 | 18051 | 28051 |
| 39/64 | .6094 | 15.478 | 3.000 | 18050 | 28050 |
| 5/8 | .6250 | 15.875 | 3.130 | 18049 | 28049 |
| 41/64 | .6406 | 16.272 | 3.310 | 18048 | 28048 |
| 21/32 | .6563 | 16.669 | 3.440 | 18047 | 28047 |
| 43/64 | .6719 | 17.066 | 3.560 | 18046 | 28046 |
| 11/16 | .6875 | 17.463 | 3.750 | 18045 | 28045 |
| 45/64 | .7031 | 17.859 | 3.940 | 18044 | 28044 |
| 23/32 | .7188 | 18.256 | 4.130 | 18043 | 28043 |
| 47/64 | .7344 | 18.653 | 4.310 | 18042 | 28042 |
| 3/4 | .7500 | 19.050 | 4.500 | 18041 | 28041 |
| 49/64 | .7656 | 19.447 | 4.690 | 18040 | 28040 |
| 25/32 | .7813 | 19.844 | 4.880 | 18039 | 28039 |
| 51/64 | .7969 | 20.241 | 5.120 | 18038 | 28038 |

3 Feet Length Drill Rod

| Size | Diameter | | Wgt. Per Piece | W-1 Water Hardening UPC No. | O-1 Oil Hardening UPC No. |
|---------|----------|-------------|----------------|-----------------------------|---------------------------|
| | Decimal | Metric (mm) | | | |
| 13/16 | .8125 | 20.638 | 5.250 | 18037 | 28037 |
| 53/64 | .8281 | 21.034 | 5.480 | 18036 | 28036 |
| 27/32 | .8438 | 21.431 | 5.690 | 18035 | 28035 |
| 55/64 | .8594 | 21.828 | 5.910 | 18034 | 28034 |
| 7/8 | .8750 | 22.225 | 6.130 | 18033 | 28033 |
| 57/64 | .8906 | 22.622 | 6.350 | 18032 | 28032 |
| 29/32 | .9063 | 23.019 | 6.560 | 18031 | 28031 |
| 59/64 | .9219 | 23.416 | 6.790 | 18030 | 28030 |
| 15/16 | .9375 | 23.813 | 7.000 | 18029 | 28029 |
| 61/64 | .9531 | 24.209 | 7.250 | 18028 | 28028 |
| 31/32 | .9688 | 24.606 | 7.590 | 18027 | 28027 |
| 63/64 | .9844 | 25.003 | 7.750 | 18026 | 28026 |
| 1 | 1.0000 | 25.400 | 8.000 | 18025 | 28025 |
| 1-1/32 | 1.0313 | 26.194 | 8.500 | 18024 | 28024 |
| 1-1/16 | 1.0625 | 26.988 | 9.030 | 18023 | 28023 |
| 1-3/32 | 1.0938 | 27.781 | 9.580 | 18022 | 28022 |
| 1-1/8 | 1.1250 | 28.575 | 10.125 | 18021 | 28021 |
| 1-5/32 | 1.1563 | 29.369 | 10.700 | 18020 | 28020 |
| 1-3/16 | 1.1875 | 30.163 | 11.310 | 18019 | 28019 |
| 1-7/32 | 1.2188 | 30.956 | 11.900 | 18018 | 28018 |
| 1-1/4 | 1.2500 | 31.750 | 12.500 | 18017 | 28017 |
| 1-9/32 | 1.2813 | 32.544 | 13.120 | 18016 | 28016 |
| 1-5/16 | 1.3125 | 33.338 | 13.800 | 18015 | 28015 |
| 1-11/32 | 1.3438 | 34.131 | 14.450 | 18014 | 28014 |
| 1-3/8 | 1.3750 | 34.925 | 15.150 | 18013 | 28013 |
| 1-13/32 | 1.4063 | 35.719 | 15.820 | 18012 | 28012 |
| 1-7/16 | 1.4375 | 36.513 | 16.540 | 18011 | 28011 |
| 1-15/32 | 1.4688 | 37.306 | 17.260 | 18010 | 28010 |
| 1-1/2 | 1.5000 | 38.100 | 18.000 | 18009 | 28009 |
| 1-9/16 | 1.5625 | 39.688 | 19.560 | 18008 | 28008 |
| 1-5/8 | 1.6250 | 41.275 | 21.150 | 18007 | 28007 |
| 1-11/16 | 1.6875 | 42.863 | 22.800 | 18006 | 28006 |
| 1-3/4 | 1.7500 | 44.450 | 24.510 | 18005 | 28005 |
| 1-13/16 | 1.8125 | 46.038 | 26.310 | 18004 | 28004 |
| 1-7/8 | 1.8750 | 47.625 | 28.140 | 18003 | 28003 |
| 1-15/16 | 1.9375 | 49.213 | 30.060 | 18002 | 28002 |
| 2 | 2.0000 | 50.800 | 32.040 | 18001 | 28001 |

Measurement Conversion Chart

| Fraction | Decimal | Metric (mm) | Fraction | Decimal | Metric (mm) | Fraction | Decimal | Metric (mm) |
|----------|---------|-------------|----------|---------|-------------|----------|---------|-------------|
| | .001 | .0254 | 7/32 | .21875 | 5.5563 | 3/4 | .75 | 19.05 |
| | .0015 | .0381 | 15/64 | .234375 | 5.9531 | 49/64 | .765625 | 19.4469 |
| | .002 | .0508 | | .2362 | 6 | 25/32 | .78125 | 19.8438 |
| | .0025 | .0635 | 1/4 | .25 | 6.35 | | .7874 | 20 |
| | .003 | .0762 | 17/64 | .265625 | 6.7469 | 51/64 | .796875 | 20.2406 |
| | .0035 | .0889 | | .2756 | 7 | 13/16 | .8125 | 20.6375 |
| | .0039 | .1 | 9/32 | .28125 | 7.1438 | | .8268 | 21 |
| | .004 | .1016 | 19/64 | .296875 | 7.5406 | 53/64 | .828125 | 21.0344 |
| | .005 | .1270 | 5/16 | .3125 | 7.9375 | 27/32 | .84375 | 21.4313 |
| | .006 | .1524 | | .3150 | 8 | 55/64 | .859375 | 21.8281 |
| | .007 | .1778 | 21/64 | .328125 | 8.3344 | | .8661 | 22 |
| | .0079 | .2 | 11/32 | .34375 | 8.7313 | 7/8 | .875 | 22.225 |
| | .008 | .2032 | | .3543 | 9 | 57/64 | .890625 | 22.6219 |
| | .009 | .2286 | 23/64 | .359375 | 9.1281 | | .9055 | 23 |
| | .010 | .2540 | 3/8 | .375 | 9.525 | 29/32 | .90625 | 23.0188 |
| | .0118 | .3 | 25/64 | .390625 | 9.9219 | 59/64 | .921875 | 23.4156 |
| | .012 | .3048 | | .3937 | 10 | 15/16 | .9375 | 23.8125 |
| | .0135 | .3429 | 13/32 | .40625 | 10.3188 | | .9449 | 24 |
| | .015 | .3810 | 27/64 | .421875 | 10.7156 | 61/64 | .953125 | 24.2094 |
| 1/64 | .015625 | .3969 | | .4331 | 11 | 31/32 | .96875 | 24.6063 |
| | .0157 | .4 | 7/16 | .4375 | 11.1125 | | .9843 | 25 |
| | .0165 | .4191 | 29/64 | .453125 | 11.5094 | 63/64 | .984375 | 25.0031 |
| | .018 | .4572 | 15/32 | .46875 | 11.9063 | 1 | 1.0 | 25.4 |
| | .0197 | .5 | | .4724 | 12 | | | |
| | .020 | .5080 | 31/64 | .484375 | 12.3031 | | | |
| | .0236 | .6 | 1/2 | .5 | 12.7 | | | |
| | .025 | .6350 | | .5118 | 13 | | | |
| | .0276 | .7 | 33/64 | .515625 | 13.0969 | | | |
| | .031 | .7874 | 17/32 | .53125 | 13.4938 | | | |
| 1/32 | .03125 | .7938 | 35/64 | .546875 | 13.8906 | | | |
| | .0315 | .8 | | .5512 | 14 | | | |
| | .0354 | .9 | 9/16 | .5625 | 14.2875 | | | |
| | .0394 | 1 | 37/64 | .578125 | 14.6844 | | | |
| 3/64 | .046875 | 1.1906 | | .5906 | 15 | | | |
| 1/16 | .0625 | 1.5875 | 19/32 | .59375 | 15.0813 | | | |
| 5/64 | .078125 | 1.9844 | 39/64 | .609375 | 15.4781 | | | |
| | .0787 | 2 | 5/8 | .625 | 15.875 | | | |
| 3/32 | .09375 | 2.3813 | | .6299 | 16 | | | |
| 7/64 | .109375 | 2.7781 | 41/64 | .640625 | 16.2719 | | | |
| | .1181 | 3 | 21/32 | .65625 | 16.6688 | | | |
| 1/8 | .125 | 3.175 | | .6693 | 17 | | | |
| 9/64 | .140625 | 3.5719 | 43/64 | .671875 | 17.0656 | | | |
| 5/32 | .15625 | 3.9688 | 11/16 | .6875 | 17.4625 | | | |
| | .1575 | 4 | 45/64 | .703125 | 17.8594 | | | |
| 11/64 | .171875 | 4.3656 | | .7087 | 18 | | | |
| 3/16 | .1875 | 4.7625 | 23/32 | .71875 | 18.2563 | | | |
| | .1969 | 5 | 47/64 | .734375 | 18.6531 | | | |
| 13/64 | .203125 | 5.1594 | | .7480 | 19 | | | |

Conversions

| | |
|--------------|-----------------------|
| 1 inch (") = | 25.4 millimeters (mm) |
| 1 inch (") = | 2.54 centimeters (cm) |
| 1 foot (') | .30481 meters (m) |

How to Convert

| | | |
|-----------------------|---|----------|
| Inches to millimeters | = | x 25.4 |
| Inches to centimeters | = | x 2.54 |
| Feet to meters | = | x .30481 |
| Millimeters to inches | = | ÷ 25.4 |
| Centimeters to inches | = | ÷ 2.54 |
| Meters to feet | = | ÷ .30481 |



WWW.PRECISIONBRAND.COM 6" BLUE TEMPERED
.005"/.127mm LOT 30487 .005"/.127mm

WWW.PRECISIONBRAND.COM
.005"/.127mm

Distributed by

ATAACS

**The TruPunch® makes all other
punch & die sets OBSOLETE...**

It's a "Washer Machine" with no agitation!



Precision Brand's® TruPunch® Punch & Die Set is a patented punch and pilot system that enables you to easily make concentric washers and shims in seconds. It eliminates the guesswork associated with old-fashioned punch and die sets. Watch it work at www.precisionbrand.com and look for the moving punch.

The TruPunch® is available in three models: TruPunch® punch sizes 1/8" to 3/4"; The Big TruPunch® punch sizes 7/8" to 1-1/4"; and the Metric TruPunch® punches sizes 3mm to 20mm.

For consistent, reliable results, nothing performs like the Precision Brand® TruPunch®.

Another timesaving innovation from Precision Brand Products, Inc.



**PRECISION
BRAND.**

Precision Brand Products, Inc.
A subsidiary of Precision Steel Warehouse, Inc.

2250 Curtiss Street
Downers Grove, Illinois 60515 USA
Phone: (630) 969-7200
Fax: (630) 969-0310
Web: www.precisionbrand.com
E-mail: precisionbrand@pbrand.com

Distributed by
AJACS
1-800-968-6868



Distributed by
AJACS
1-800-968-6868

PRECISIONBRAND.COM 6" BLUE TEMPERED
.127mm LOT 90487 .005"/.127mm

PRECISIONBRAND.COM 6" BLUE TEMPERED
.005"/.127mm LOT 90487 .005"/.127mm

PRECISIONBRAND.COM 6" BLUE TEMPERED
.005"/.127mm LOT 90487 .005"/.127mm

Catalog 2007
Part No. 97002