



A BROWN COMPANY

HORIZONTAL HOLD DOWN CLAMPS Series 2013, 2017, 2027, 2037

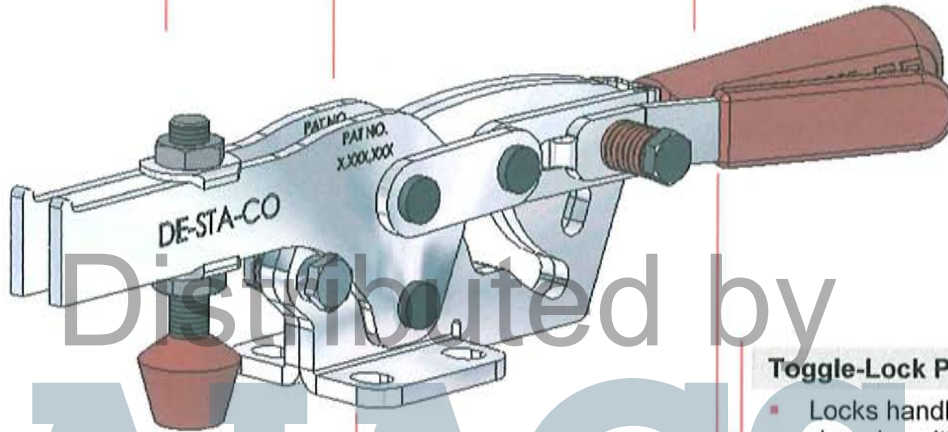
Key Features

Robust Design

- 60% more holding capacity than legacy product
- Low arm deflection under load (greater stiffness)

Long Handle

- Increased operator comfort



Toggle-Lock Plus

- Locks handle in open and closed position
- Available standard or as an add-on kit

Common hole pattern

- Interchangeable with legacy clamp models:
- 213-U
- 217-U
- 227-U
- 237-U

Large hand clearance

- Eliminates "knuckle busters"

1-800-968-6868

Optional pre-load

- Eliminates arm play for locating applications
- Can be added by customer based on need

Bushings at key pivot points

- Provides long life & smooth operation

Low Pivot Point

- Provides perpendicular clamping force

Fixed handle pivot

- Eliminates sticking points
- Provides smooth action

