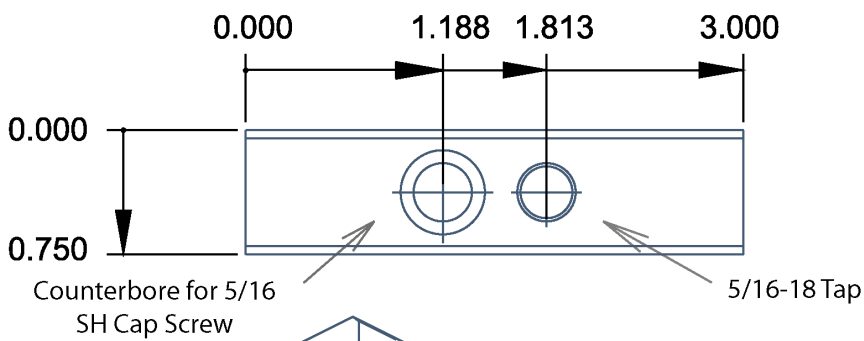
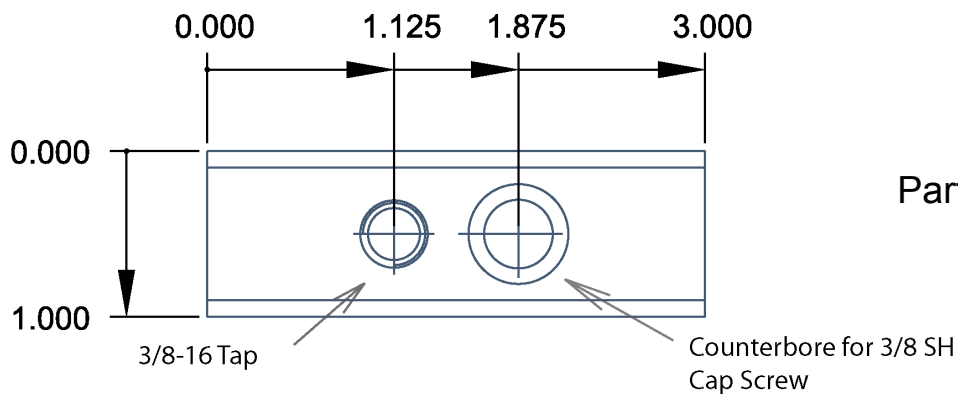
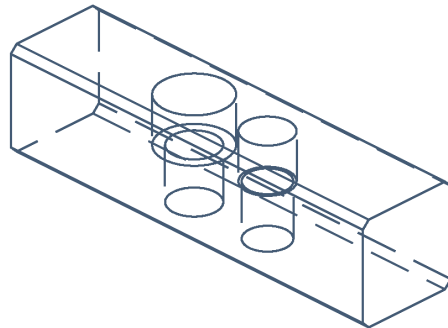


Part No. AT500K



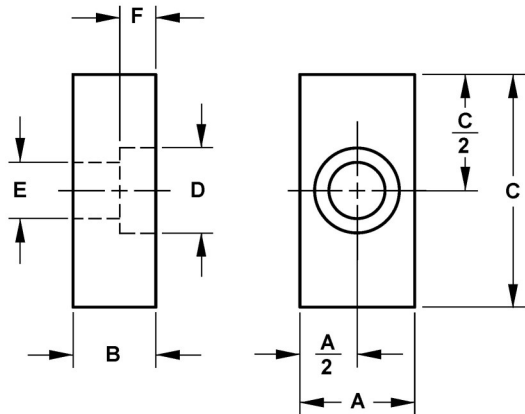
Part No. AT750K



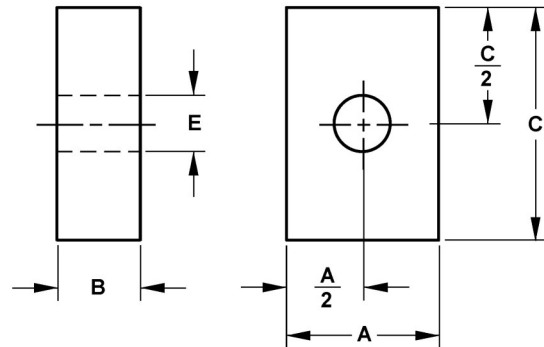
Part No. AT100K



MATERIAL: ISO 683/18 - C20

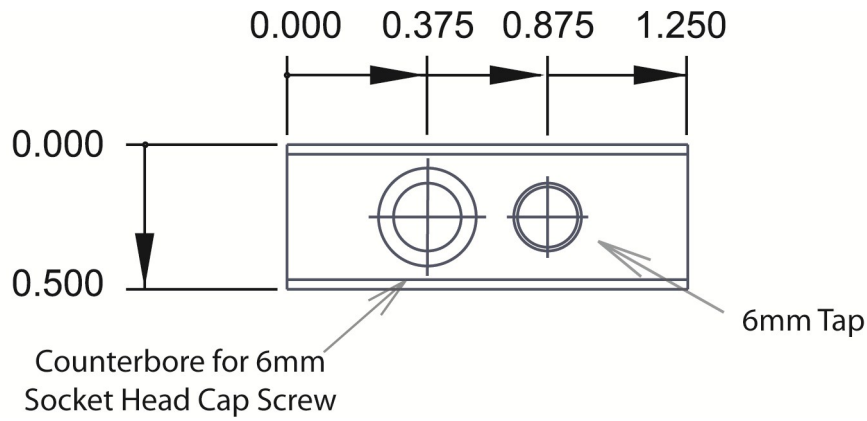


STYLE A



STYLE B (Use Only for Backup)

Part No.	Style	A h9	B	C ± 0.3	ØD	ØE	F +0.4	Socket Head Cap Screw Required (not provided)
AT202080K	A	20	20	80	15	9	8	M8 x 125 x 20 LG
AT252550K	A	25	25	50	18	11	10	M10 x 1.50 x 30 LG
AT252580K	A	25	25	80	18	11	10	M10 x 1.50 x 30 LG



Part No. AT500K - M

